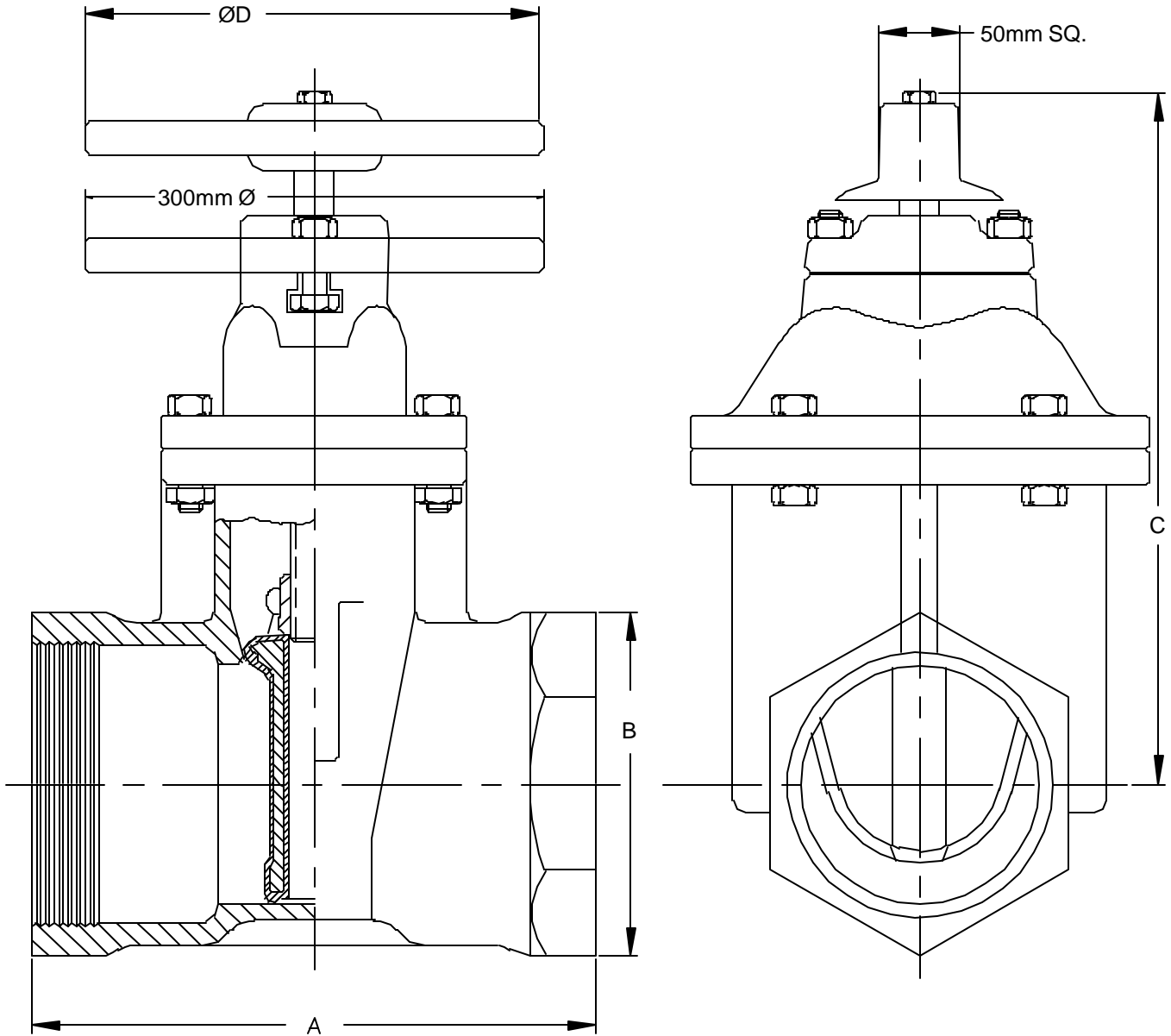


PROJECT	2"-3" R/W VALVE THREADED ENDS NRS GENERAL DIMENSIONS
OWNER	
CONTRACTOR	
DISTRIBUTOR	
CONSULTANT	
CLOW CANADA	MODEL F6103 FUSION EPOXY - NSF 61 AND AWWA C550 COMPLIES WITH AWWA C509



METRIC DIMENSIONS				
VALVE SIZE	A	B	C	D
50	133	105	275	185
62.5	175	130	290	185
75	180	140	315	250