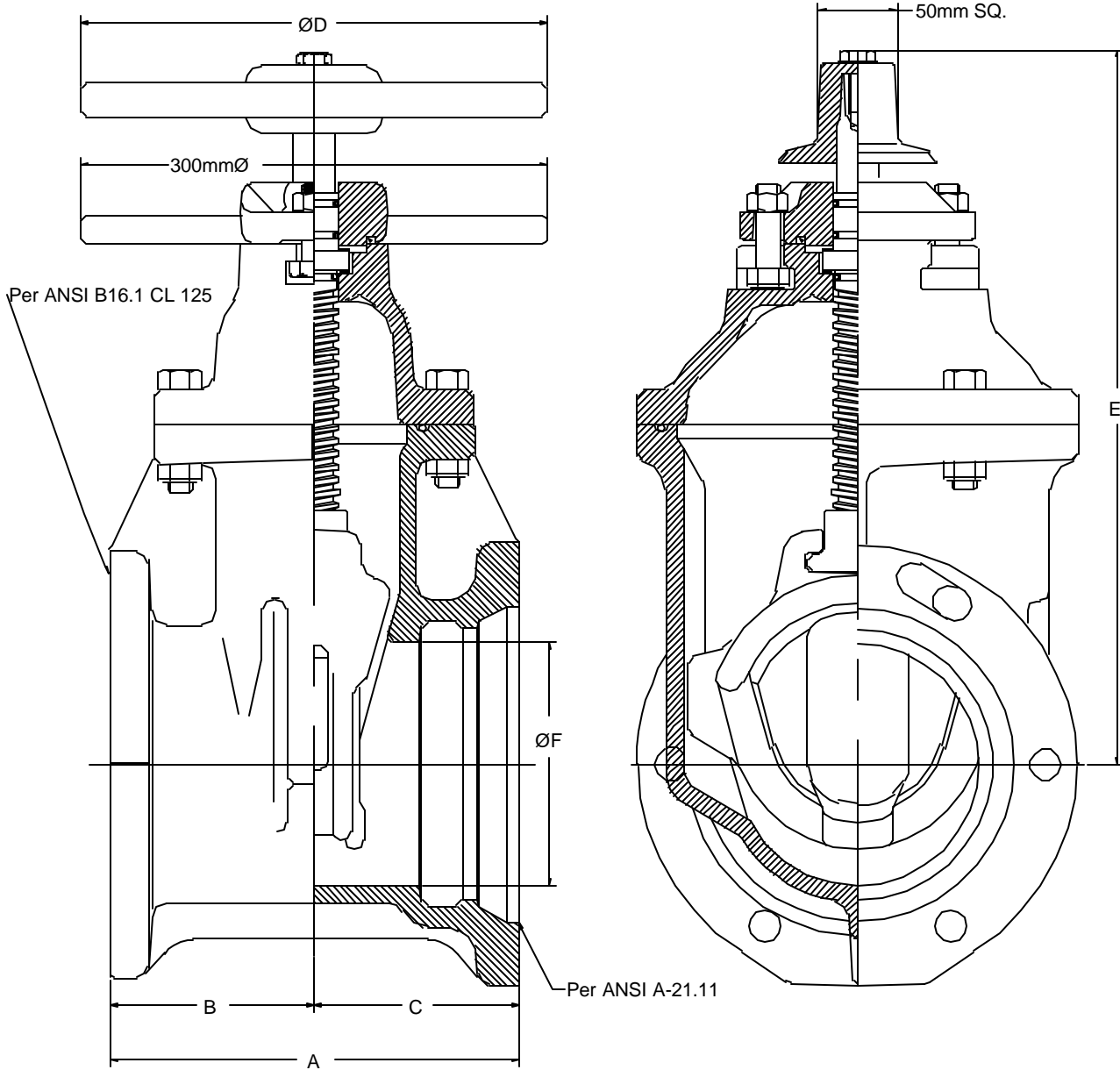


3"-12" R/W VALVE NRS FLANGED x  
MECHANICAL JOINT ENDS GENERAL  
DIMENSIONS

MODEL F6106

FUSION EPOXY - NSF 61 AND AWWA C550  
COMPLIES WITH AWWA C509

**CLOW CANADA**



**METRIC DIMENSIONS**

VALVE SIZE	A	B	C	D	E	F
75	210	100	108	250	315	75
100	235	115	120	250	375	108
150	265	133	133	300	480	160
200	313	145	165	350	570	210
250	362	165	195	450	675	260
300	380	175	200	450	760	310