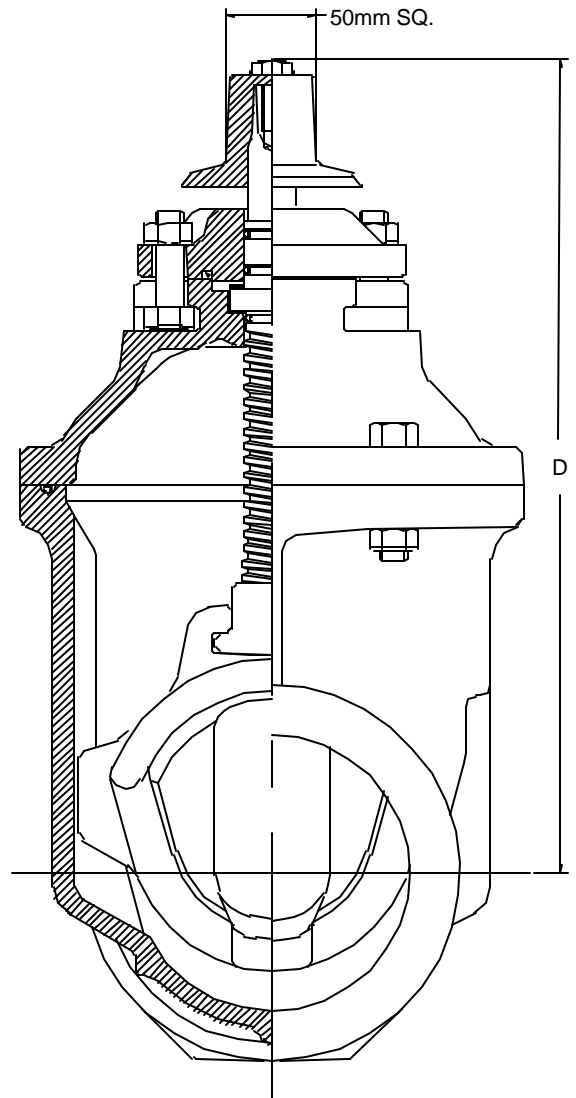
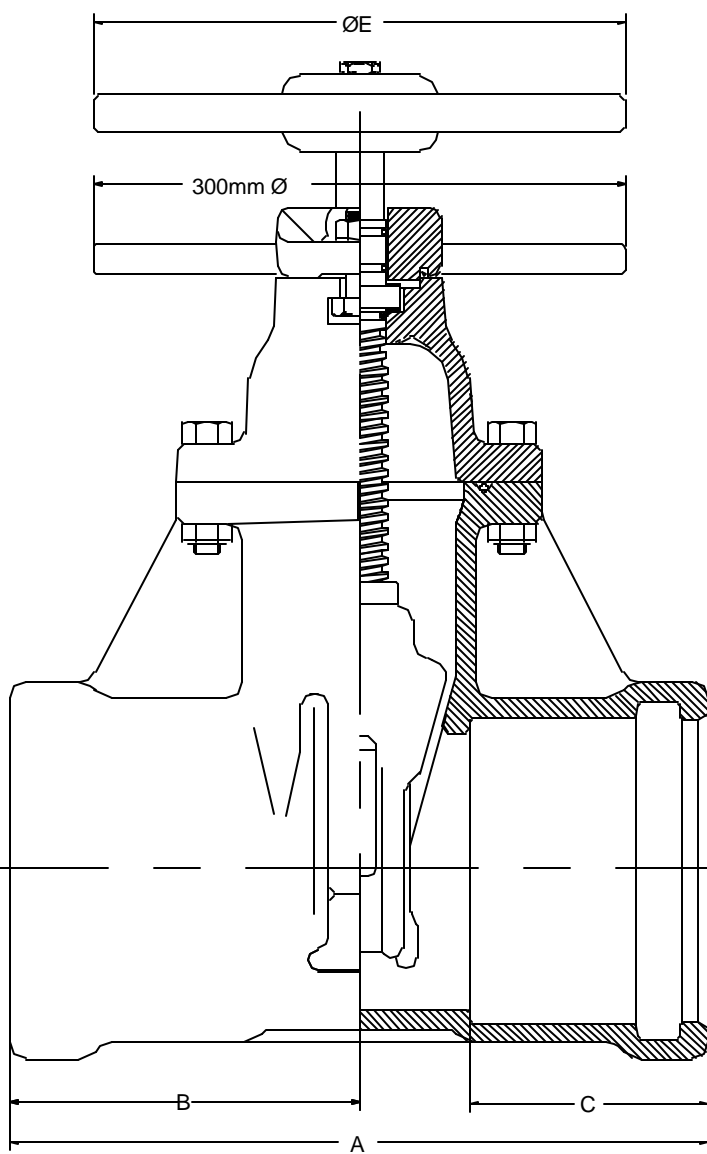


PROJECT	50mm - 200mm R/W VALVE PVC ENDS NRS GENERAL DIMENSIONS
OWNER	
CONTRACTOR	
DISTRIBUTOR	
CONSULTANT	
CLOW CANADA	MODEL F6110
	FUSION EPOXY - NSF 61 AND AWWA C550
	COMPLIES WITH AWWA C509



METRIC DIMENSIONS					
VALVE SIZE	A	B	C	D	E
50	250	127	90	275	185
62.5	270	135	95	290	185
75	295	145	105	315	250
100	340	170	115	375	250
150	400	200	135	48	300
200	410	205	135	570	350