

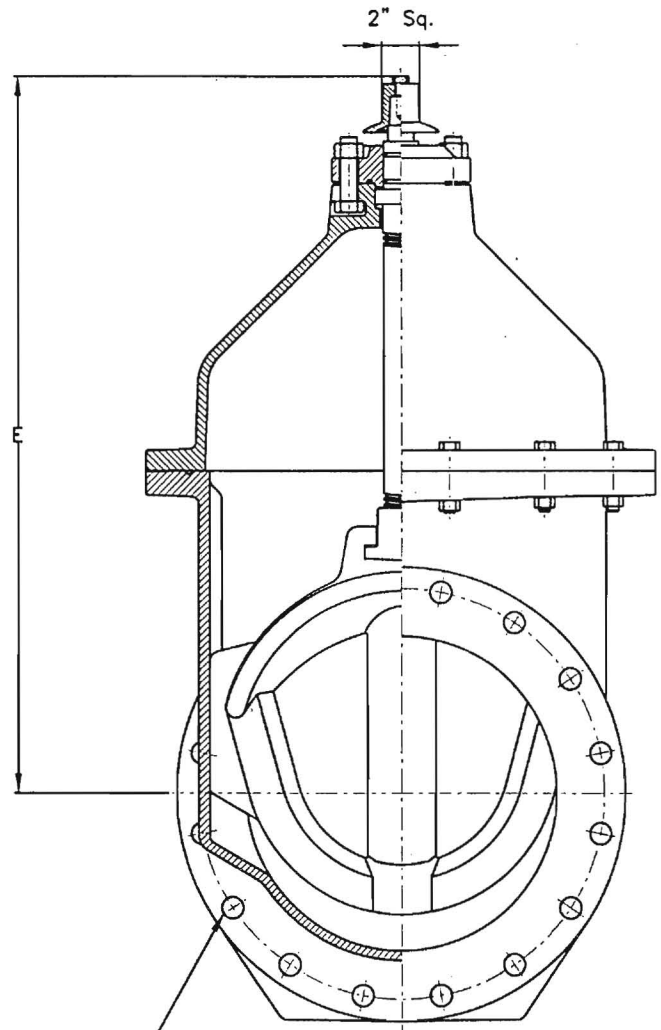
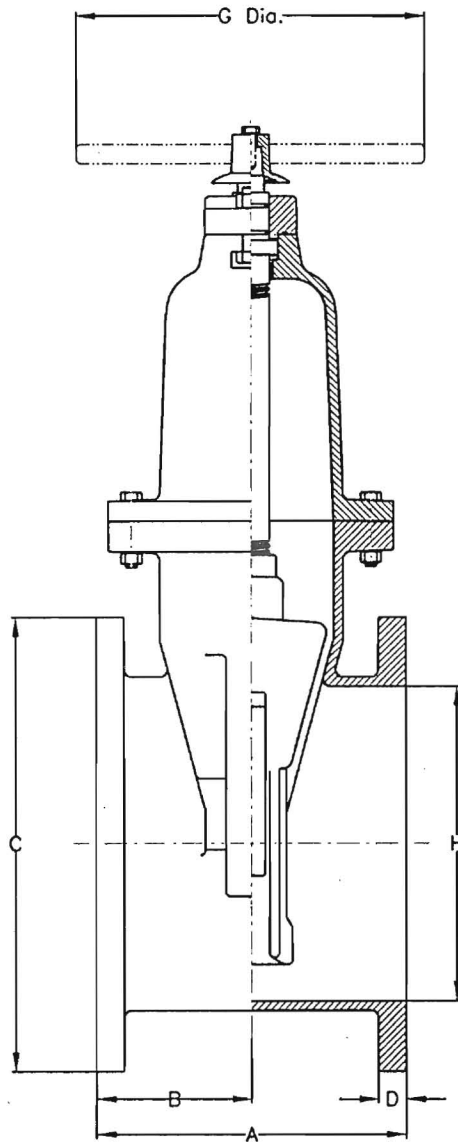
Complies with applicable requirements of AWWA C515

14"-16" R/W VALVE FLANGED ENDS
GENERAL DIMENSION

CLOW VALVE COMPANY

MODEL 2638

F-6102



F No. & size of bolts
Drilling per ANSI B16.1 class 125

VALVE SIZE	A	B	C	D	E	F	G	H
14	15	7.5	21	1.38	37.75	12-1	26	14.25
16	16	8	23.5	1.44	37.75	16-1	26	16.25