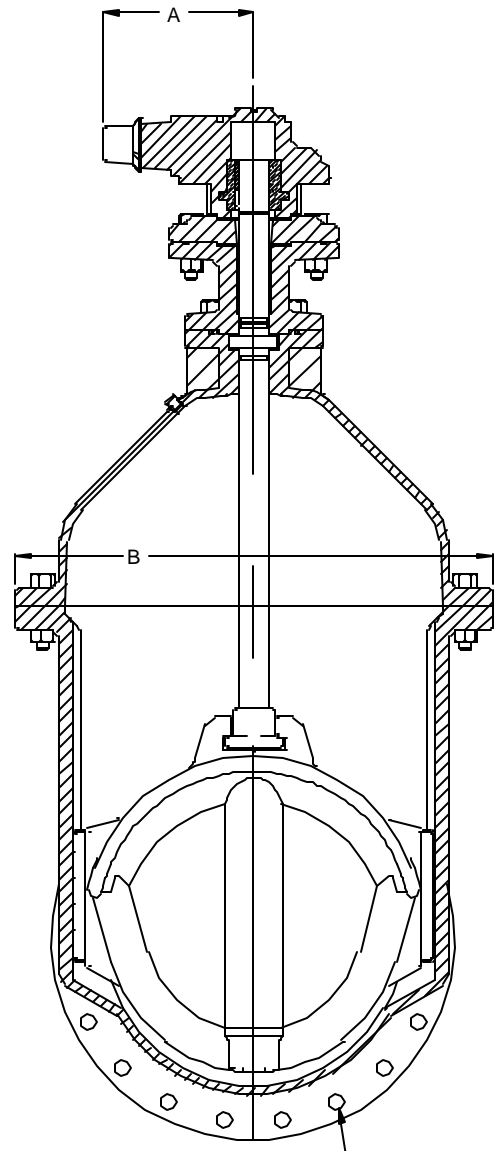
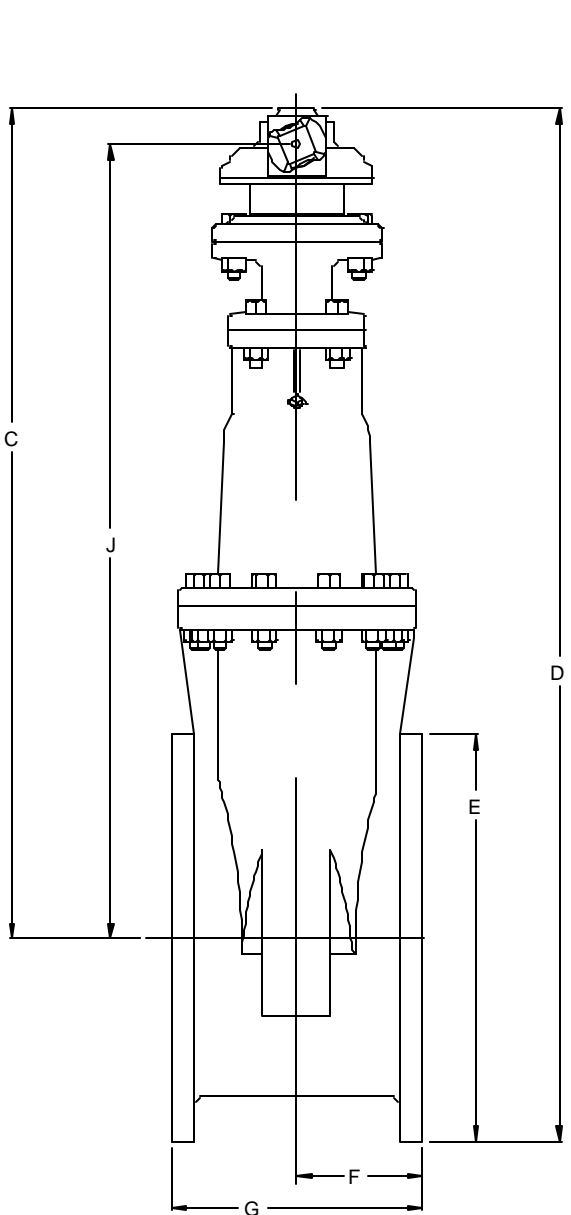


PROJECT
OWNER
CONTRACTOR
DISTRIBUTOR
CONSULTANT
<b>CLOW CANADA</b>

350mm - 500mm R/W VALVE FLANGED END BEVEL GEAR GENERAL DIMENSIONS
MODEL F6102
FUSION EPOXY - NSF 61 AND AWWA C550
COMPLIES WITH AWWA C515



H- No. & size of bolts  
Drilling Per ANSI B16.1  
Class 125

METRIC DIMENSIONS							