

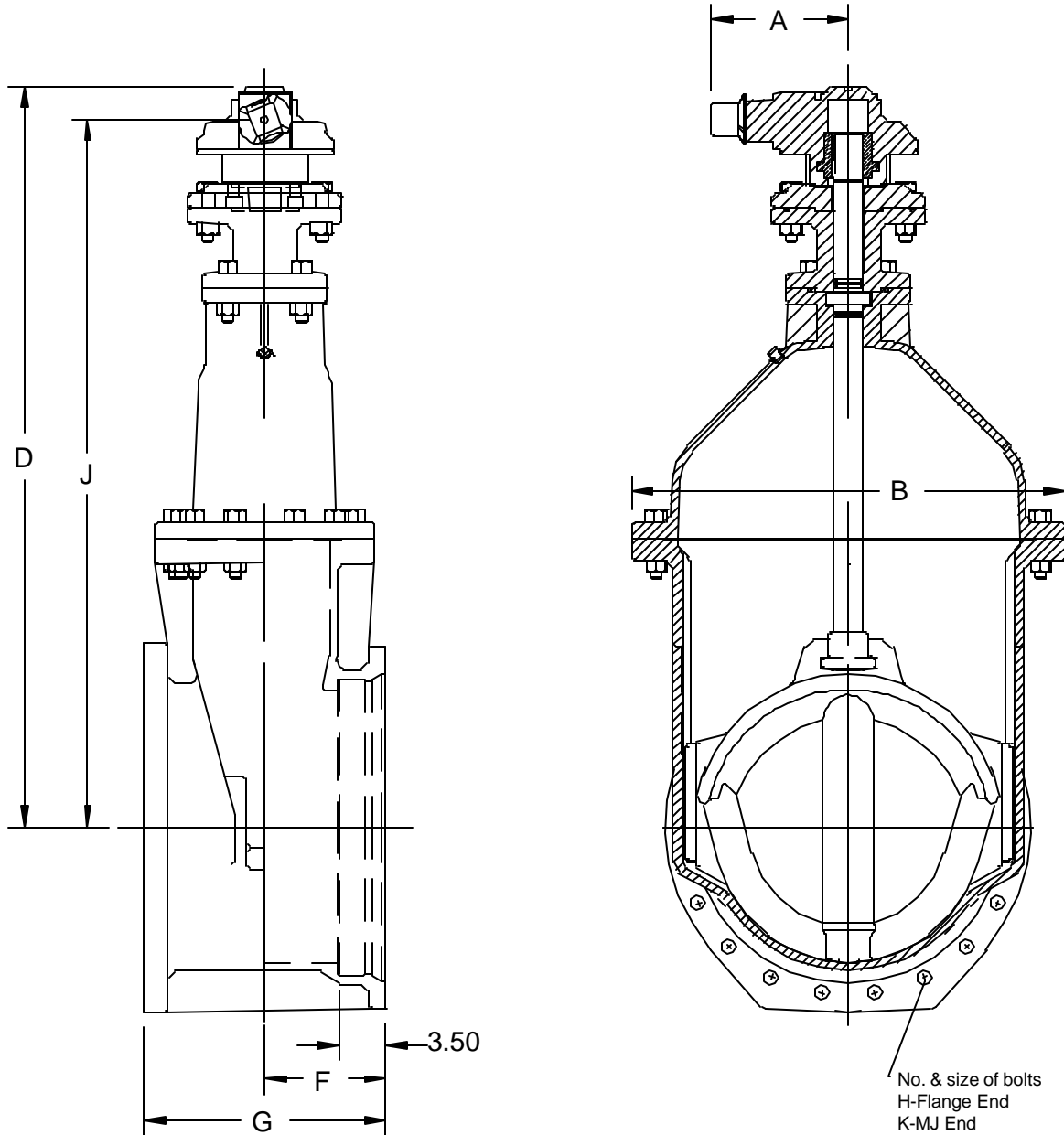
PROJECT
OWNER
CONTRACTOR
DISTRIBUTOR
CONSULTANT

350-500 R/W VALVE MJ x FLANGE END
BEVEL GEAR GENERAL DIMENSIONS

MODEL F6106BG

FUSION EPOXY - NSF 61 AND AWWA C550

CLOW CANADA



ALL DIMENSIONS IN MILLIMETERS

VALVE SIZE										
350 mm (14")										
400 mm (16")										
450 mm (18")										
500 mm (20")										