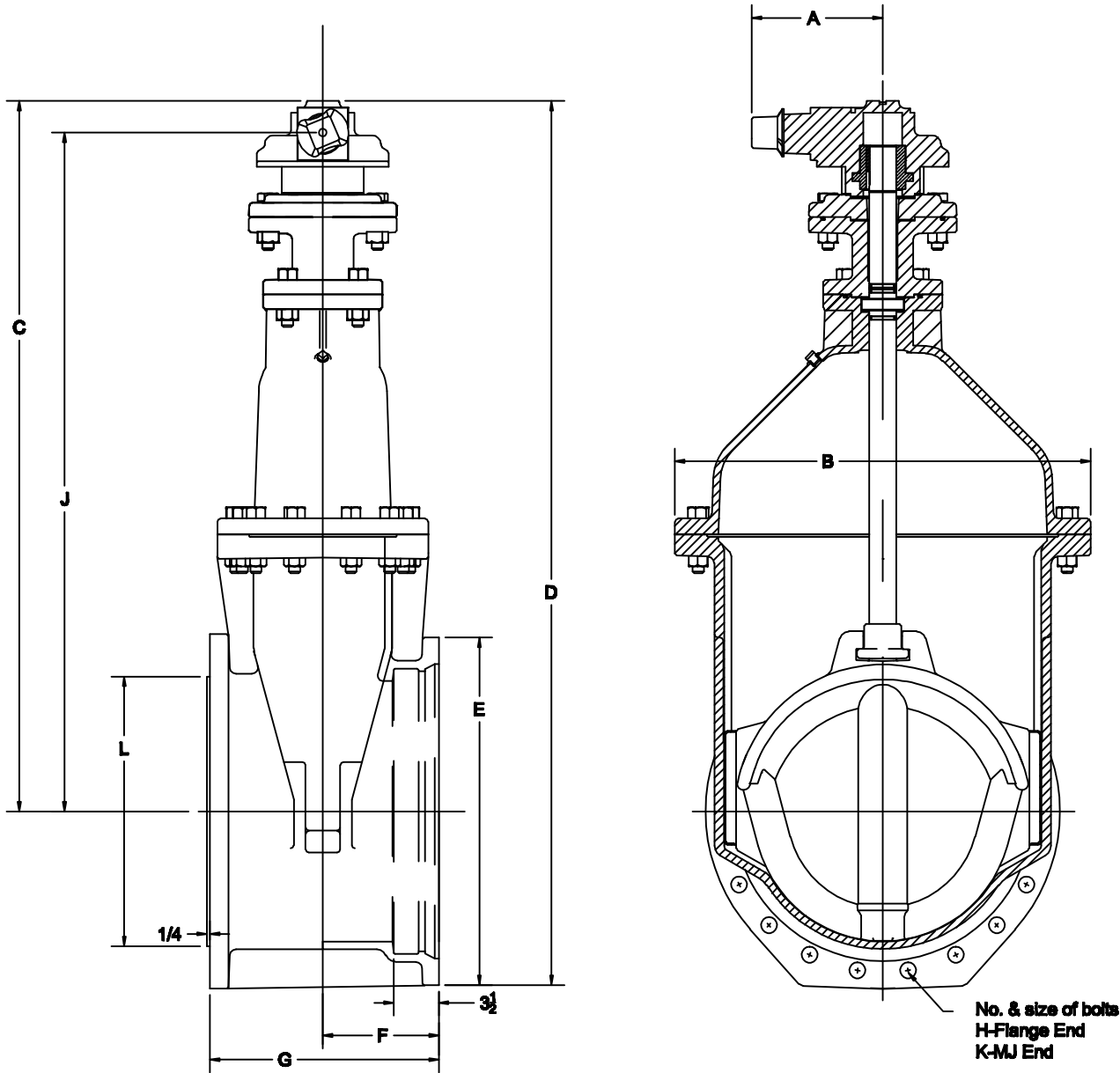


PROJECT	<b>350-500 R/W VALVE MJ x TAP END BEVEL GEAR GENERAL DIMENSIONS</b>  <b>MODEL F6114BG</b>  <b>FUSION EPOXY - NSF 61 AND AWWA C550</b>  <b>COMPLIES WITH AWWA C515</b>
OWNER	
CONTRACTOR	
DISTRIBUTOR	
CONSULTANT	
<b>CLOW CANADA</b>	



**ALL DIMENSIONS IN MILLIMETERS**

VALVE SIZE	A	B	C	D	E	F	G	H	J	K	L
350 mm (14")	230	675	1160	1510	515	215	425	12-1	1180	10-3/4	380
400 mm (16")	230	675	1210	1510	570	215	425	16-1	1150	12-3/4	430
450 mm (18")	260	820	1415	1750	630	240	465	16-1 1/8	1365	12-3/4	480
500 mm (20")	260	820	1390	1750	685	225	460	20-1 1/8	1340	14-3/4	530