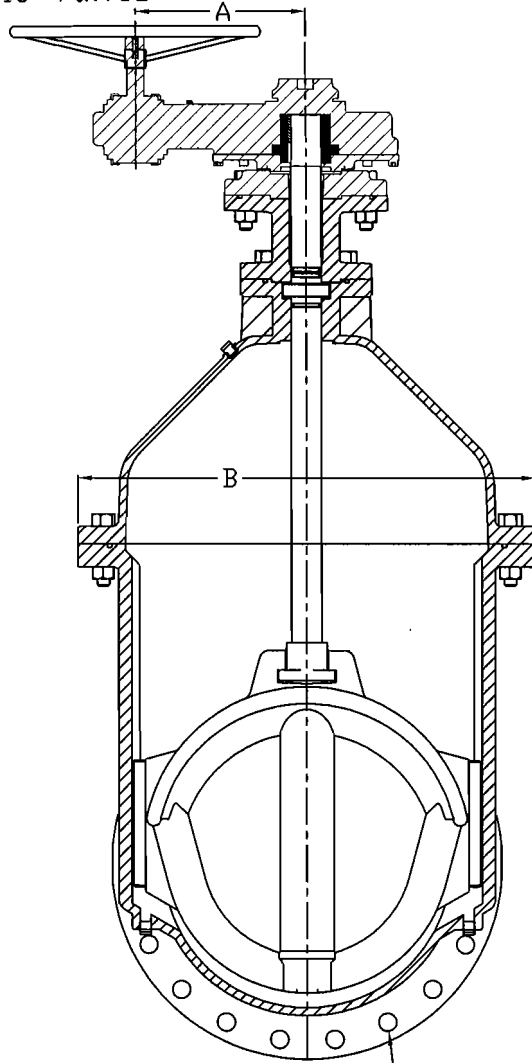
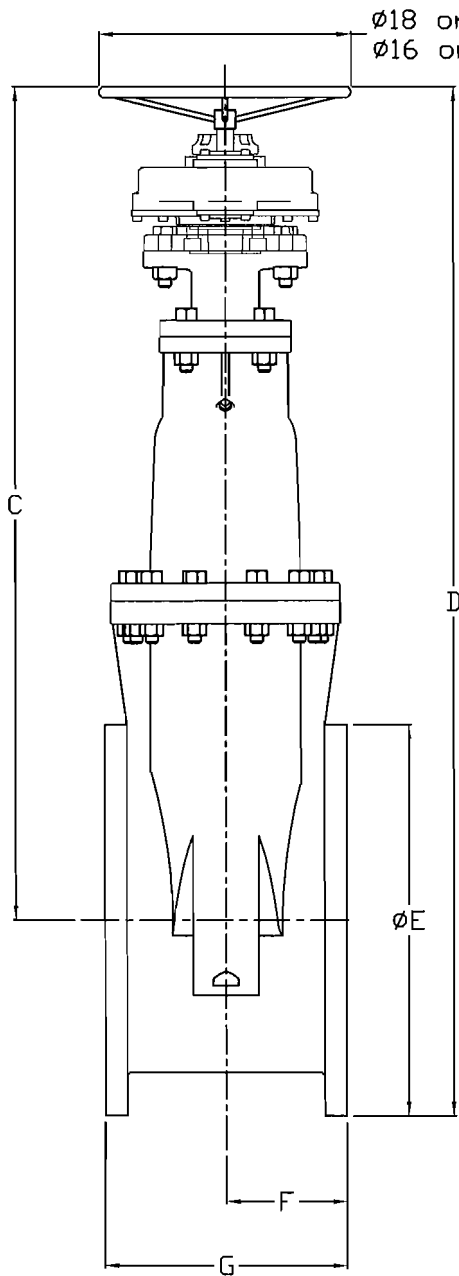


Complies with
AWWA C515

14"-20" R/W VALVE FLANGE HW
SPUR GEAR GENERAL DIMENSIONS

CLOW VALVE COMPANY

MODEL 2638



H - No. & size of bolts
Drilling per ANSI B16.1
Class 125

VALVE SIZE	A	B	C	D	E	F	G	H
14	8	26 11/16	52 1/8	63	21	7 1/2	15	12-1
16	8	26 11/16	51 1/8	63	23 1/2	8	16	16-1
18	12	32 1/4	58	70 1/2	25	8 1/2	17	16-1 1/8
20	12	32 1/4	57	70 1/2	27 1/2	9	18	20-1 1/8