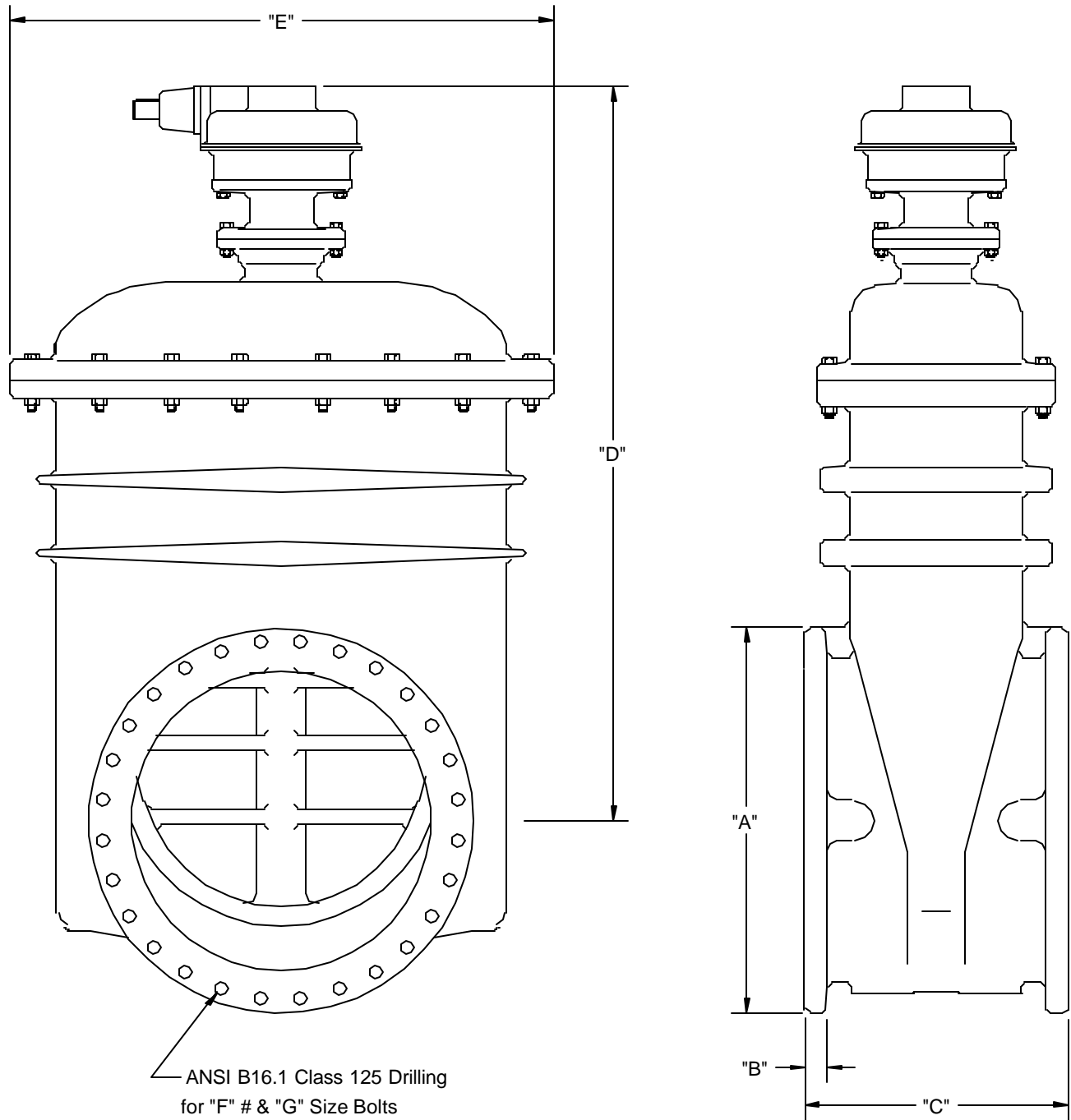


PROJECT	30"-48" R/W VALVE FLANGED ENDS GENERAL DIMENSIONS
OWNER	
CONTRACTOR	
DISTRIBUTOR	
CONSULTANT	
<b>CLOW CANADA</b>	MODEL F6102BG
FUSION EPOXY - NSF 61 AND AWWA C550	



<b>METRIC DIMENSIONS</b>							
Valve Size	"A"	"B"	"C"	"D"	"E"	"F"	"G"
750 mm (30")	980	54	670	1870	1390	28	1-1/4
900 mm (36")	1170	60	780	2120	1495	32	1-1/2
1050 mm (42")	1350	67	910	2560	1900	36	1-5/8
1200 mm (48")	1500	70	900	2635	1900	44	1-1/2

2638-53  
A 1/14/02