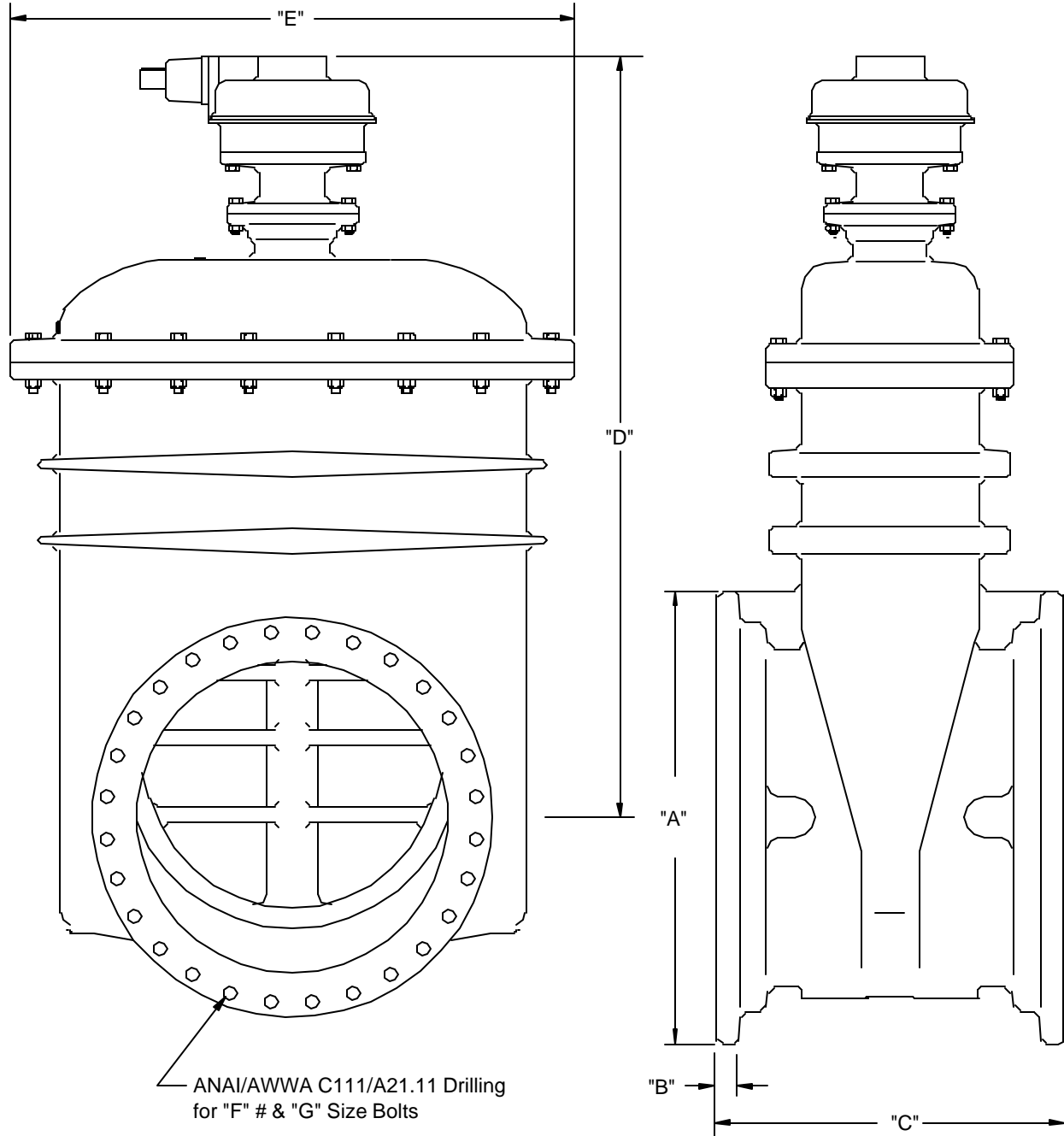


PROJECT	30"-48" R/W VALVE MECH. JOINT ENDS GENERAL DIMENSIONS
OWNER	
CONTRACTOR	
DISTRIBUTOR	
CONSULTANT	
<b>CLOW CANADA</b>	MODEL F6100BG
	FUSION EPOXY - NSF 61 AND AWWA C550



**METRIC DIMENSIONS**

Valve Size	"A"	"B"	"C"	"D"	"E"	"F"	"G"
750 mm (30")	1000	43	900	1870	1390	20	1"
900 mm (36")	1180	50	980	2120	1495	24	1"
1050 mm (42")	1370	50	1010	2560	1900	28	1-3/8"
1200 mm (48")	1540	54		2635	1900	32	1-1/4"

2638-54

A 9/25/02