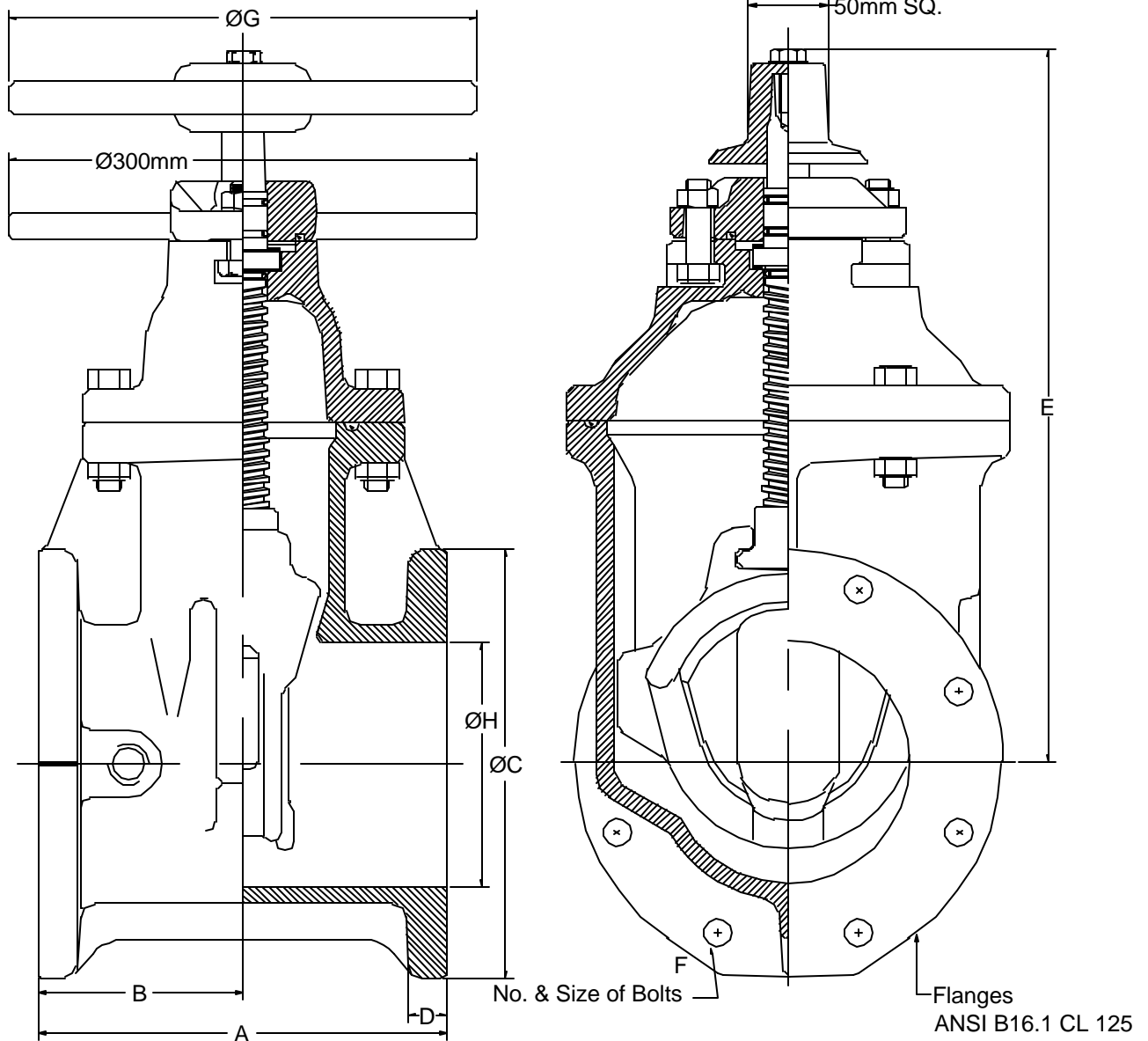


| | |
|--------------------|---|
| PROJECT | 2"-12" R/W VALVE NRS FLANGED ENDS GENERAL DIMENSIONS |
| OWNER | |
| CONTRACTOR | |
| DISTRIBUTOR | |
| CONSULTANT | |
| CLOW CANADA | MODEL F6102 |
| | FUSION EPOXY - NSF 61 AND AWWA C550 |
| | COMPLIES WITH AWWA C509 |



| METRIC DIMENSIONS | | | | | | | | |
|-------------------|-----|-----|-----|----|-----|--------|-----|------|
| VALVE SIZE | A | B | C | D | E | F | G | H |
| 50 | 180 | 90 | 150 | 16 | 275 | 4-5/8 | 185 | 50 |
| 62.5 | 190 | 95 | 180 | 18 | 290 | 4-5/8 | 185 | 62.5 |
| 75 | 200 | 100 | 190 | 19 | 315 | 4-5/8 | 250 | 75 |
| 100 | 230 | 115 | 230 | 23 | 375 | 8-5/8 | 250 | 108 |
| 150 | 265 | 130 | 280 | 25 | 480 | 8-3/4 | 300 | 160 |
| 200 | 290 | 145 | 140 | 28 | 570 | 8-3/4 | 350 | 210 |
| 250 | 330 | 165 | 400 | 30 | 670 | 12-7/8 | 450 | 260 |
| 300 | 350 | 180 | 480 | 32 | 750 | 12-7/8 | 450 | 310 |