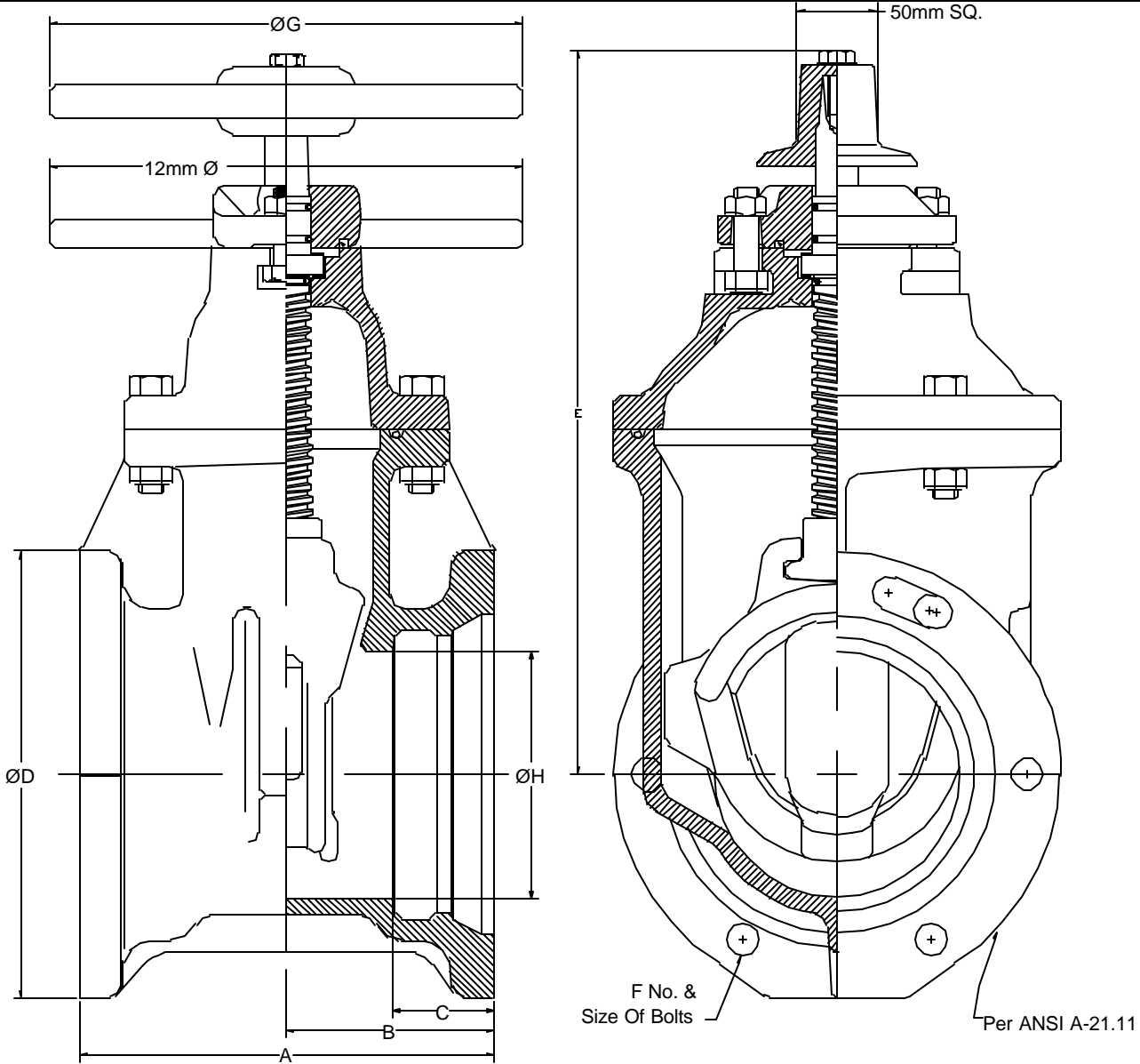


PROJECT	2"-12" R/W VALVE MECHANICAL JOINT ENDS GENERAL DIMENSIONS MODEL F6100 FUSION EPOXY - NSF 61 AND AWWA C550 COMPLIES WITH AWWA C509
OWNER	
CONTRACTOR	
DISTRIBUTOR	
CONSULTANT	

CLOW CANADA



METRIC DIMENSIONS								
VALVE SIZE	A	B	C	D	E	F	G	H
50	210	105	62.5	115	275	4-5/8	185	50
62.5	—	—	—	—	—	—	—	—
75	215	108	62.5	195	315	4-5/8	250	75
100	240	120	62.5	230	375	4-3/4	250	110
150	265	130	62.5	290	480	6-3/4	300	160
200	335	165	62.5	350	520	6-3/4	350	210
250	395	195	62.5	400	670	8-3/4	450	260
300	405	200	67	455	750	8-3/4	450	310