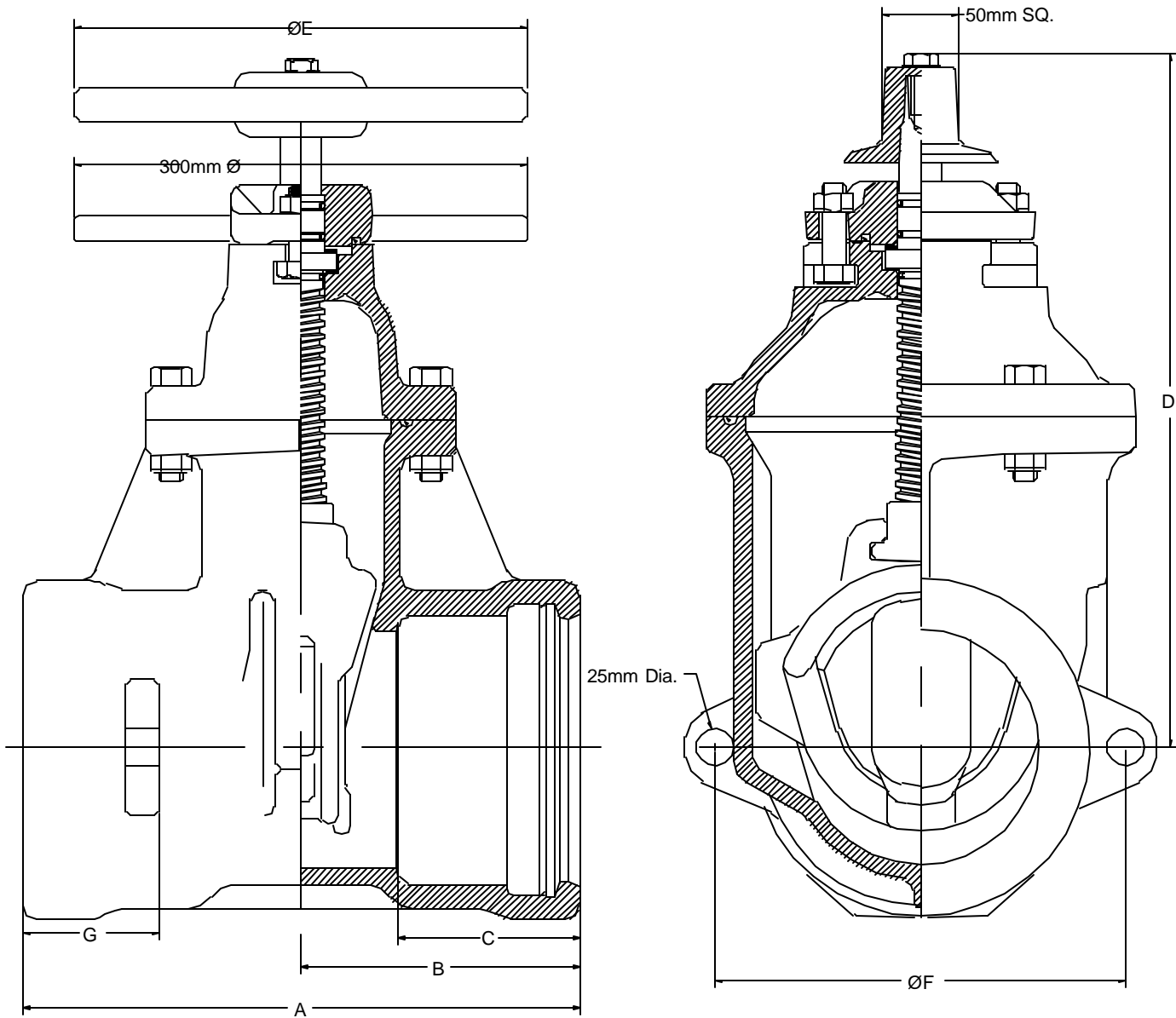


PROJECT	<b>4"-12" R/W VALVE TYTON ENDS</b> <b>NRS GENERAL DIMENSIONS</b>  <b>MODEL F6112</b>  <b>FUSION EPOXY - NSF 61 AND AWWA C550</b>  <b>COMPLIES WITH AWWA C509</b>
OWNER	
CONTRACTOR	
DISTRIBUTOR	
CONSULTANT	
<b>CLOW CANADA</b>	



<b>METRIC DIMENSIONS</b>							
VALVE SIZE	A	B	C	D	E	F	G
100	335	165	110	375	250	210	95
150	375	185	120	480	300	275	95
200	435	215	145	570	350	325	115
250	490	245	155	670	450	405	130
300	530	265	155	760	450	470	135