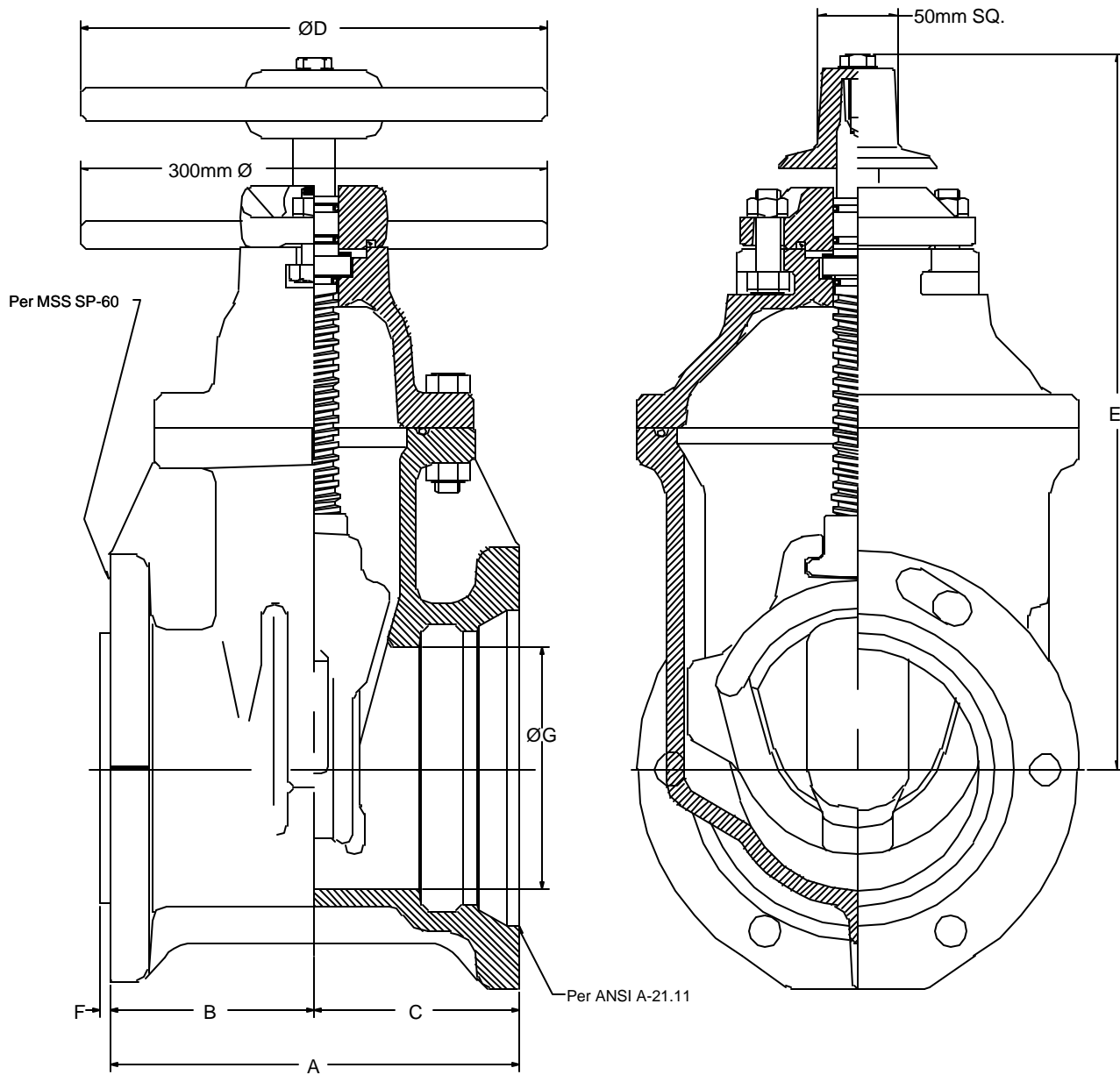


PROJECT	<b>3"-12" R/W VALVE NRS TAP x MECHANICAL JOINT ENDS GENERAL DIMENSIONS</b>
OWNER	
CONTRACTOR	
DISTRIBUTOR	
CONSULTANT	
<b>CLOW CANADA</b>	MODEL F6114
	FUSION EPOXY - NSF 61 AND AWWA C550
	COMPLIES WITH AWWA C509



METRIC DIMENSIONS							
VALVE SIZE	A	B	C	D	E	F	G
75	210	100	108	250	315	6	75
100	235	115	120	250	375	6	108
150	265	133	133	300	480	7	160
200	335	145	190	350	570	7	210
250	315	165	195	450	675	7	260
300	380	175	200	450	760	7	310