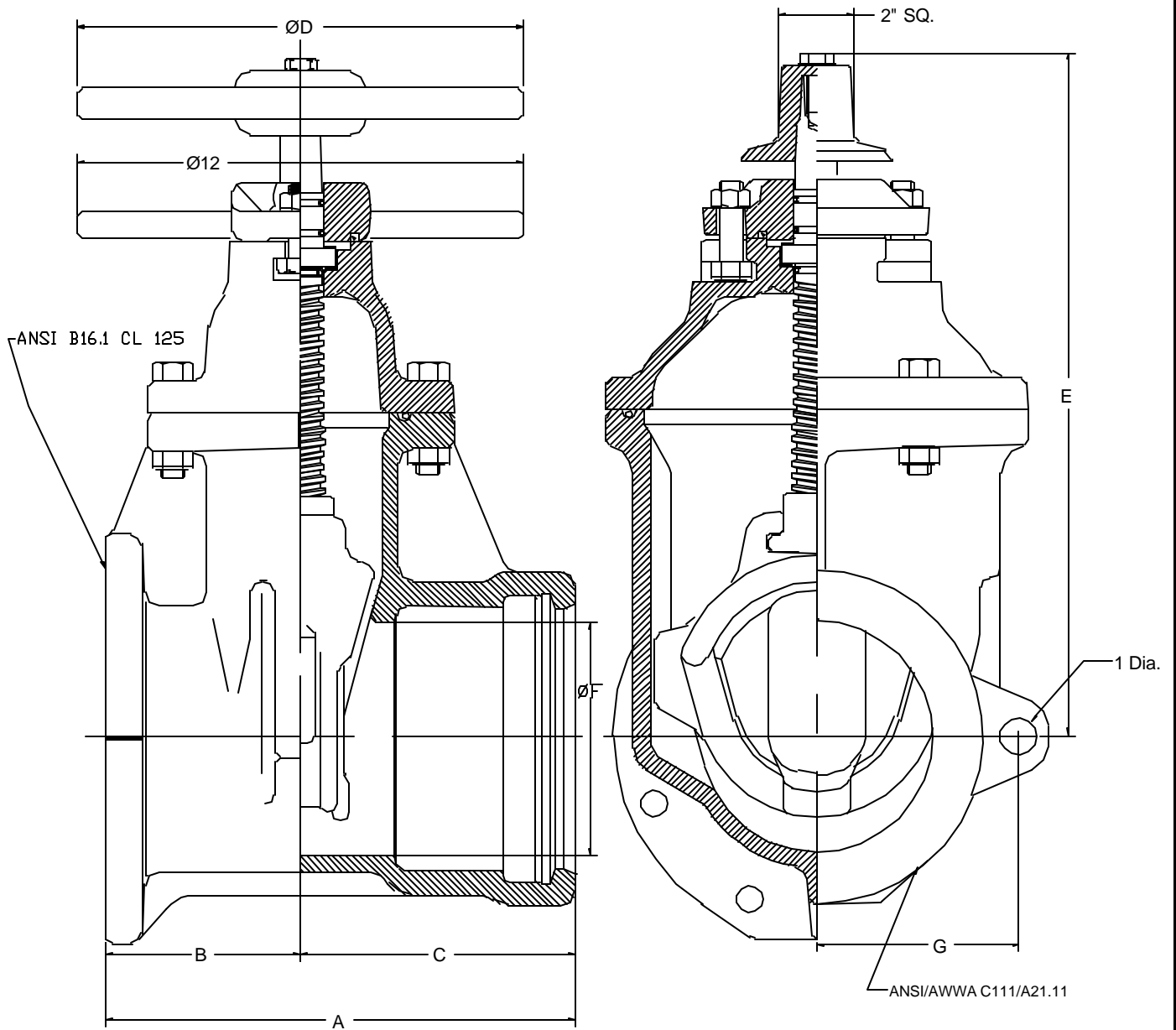


PROJECT	4"-12" RW VALVE NRS FLANGE x TYTON ENDS GENERAL DIMENSIONS
OWNER	
CONTRACTOR	
DISTRIBUTOR	
CONSULTANT	
<b>CLOW CANADA</b>	MODEL F6113
	FUSION EPOXY - NSF 61 AND AWWA C550
	COMPLIES WITH AWWA C509



METRIC DIMENSIONS							
VALVE SIZE	A	B	C	D	E	F	G
75 (3")	210	100	108	250	315	75	---
100 (4")	283	115	168	250	375	108	104
150 (6")	320	134	188	300	483	159	138
200 (8")	365	146	218	350	572	210	164
250 (10")	410	165	246	450	673	260	202
300 (12")	443	178	265	450	762	310	234