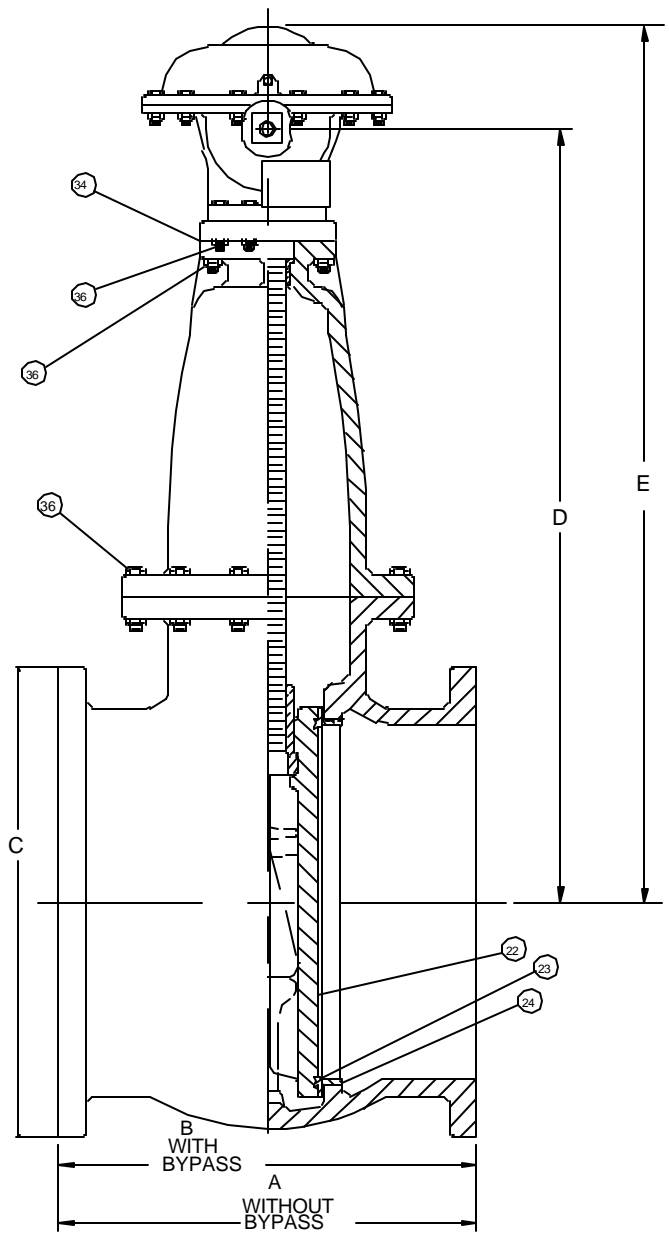
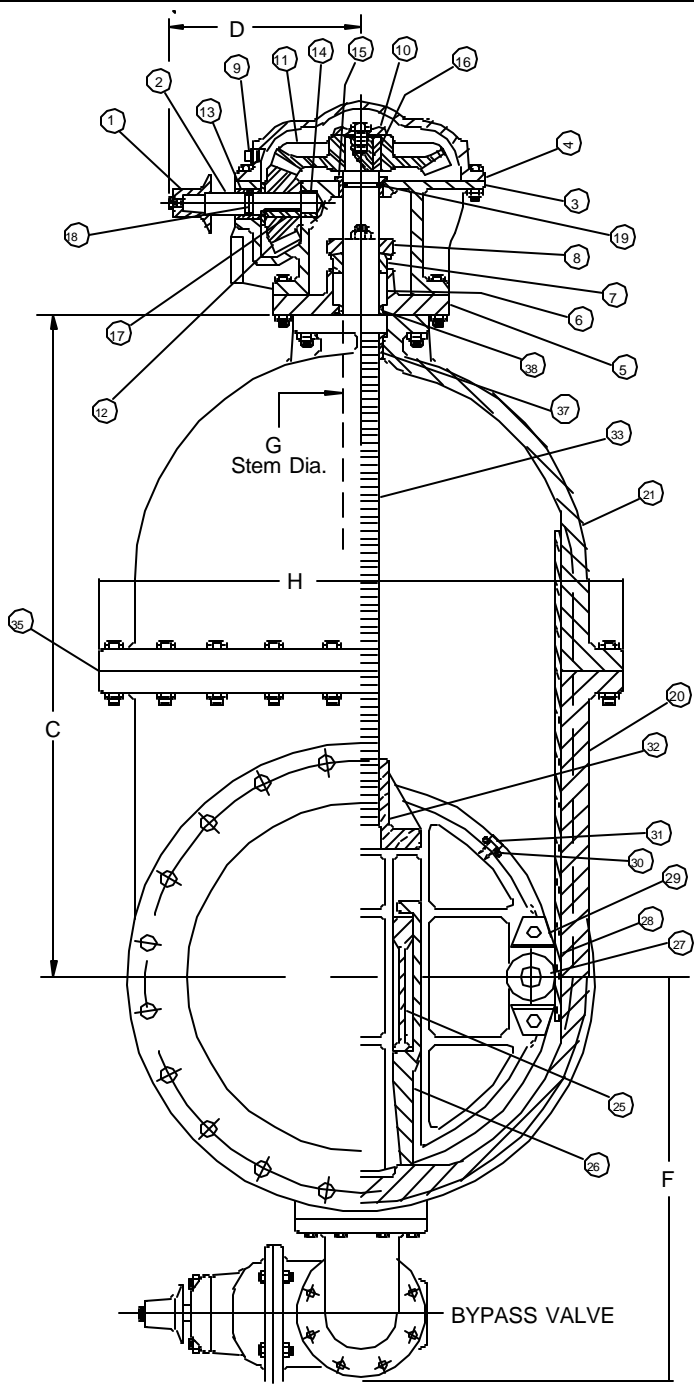


PROJECT
OWNER
CONTRACTOR
DISTRIBUTOR
CONSULTANT
<b>CLOW CANADA</b>

14"-36" LIST 14 DD FLANGED GATE VALVE WITH BEVEL GEAR (ROLLERS, TRACKS & SCRAPERS)
<b>MODEL F5070 BG</b>
<b>FUSION EPOXY - NSF 61 AND AWWA C550</b>



Rated working pressure is 150 psig.

METRIC DIMENSIONS							
VALVE SIZE	14	16	18	20	24	30	36
A	400	432	483	508	584	635	686
B	584	584	610	610	724	825	914
C	533	597	635	699	813	984	1168
D	718	819	900	1075	1153	1416	1657
E	895	997	1076	1168	1330	1583	1835
F	489	520	572	610	711	800	1016
G	48	48	54	54	64	70	76
H	600	654	705	835	908	1162	1429