

D-73-PVC DAIG-O-PER

UNDER PRESSURE DRILLING MACHINE

Designed for installing water services
with corporation stops
and service saddles.

Machine No D73-1-PVC

Capacity: $\frac{3}{4}$ " and 1"

Machine No D73-2-PVC

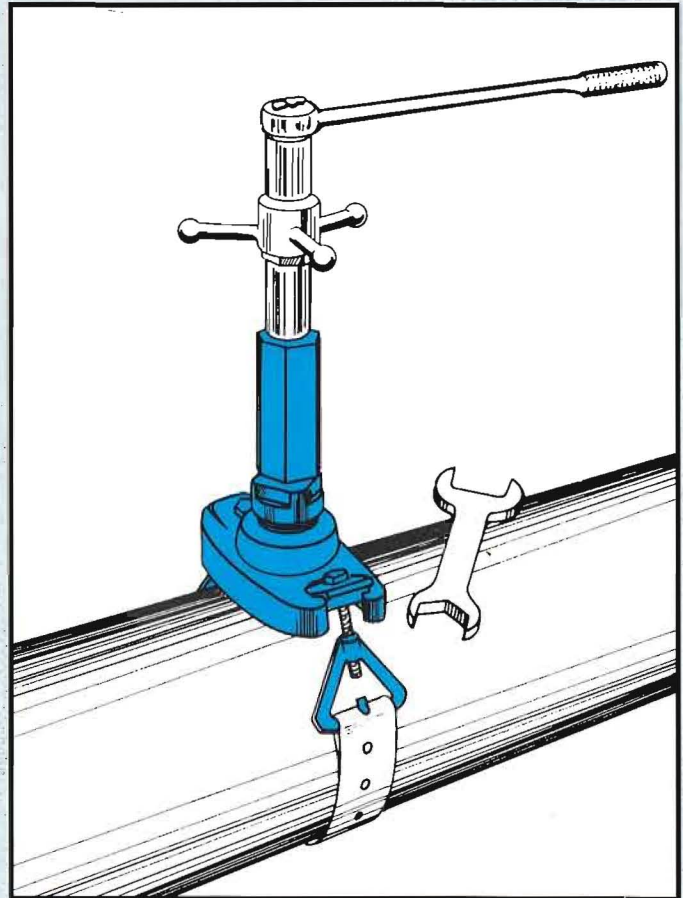
Capacity: 1 $\frac{1}{4}$ " - 1 $\frac{1}{2}$ " - 1"

Working pressure 200 p.s.i.

First choice of
the "man-in-the-trench"
because the "D-73" is:

- CONVENIENT...
- SIMPLE...
- EASY TO OPERATE...
- VERSATILE...
- STRONG...
- ECONOMICAL...
- LIGHT WEIGHT...

For all watermains
Few components
With thrust bearing
For most popular types of connections
Manganese bronze barrel, handle, adapters
Less expensive, less maintenance cost
Machine only 9 lbs. approx.



ANOTHER
QUALITY PRODUCT

CLOW
CLOW CANADA

D-73-PVC DAIG-O-PER

PARTS

REF. NO.	PART NUMBERS		DESCRIPTION
	D-73-1	D-73-2	
1	7301	7320	BARREL
2	7302	7302	FEED TUBE
3	7303	7303	THRUST BEARING AND PLATES
4	7304	7304	FEED TUBE HANDLE
5	7305	7305	STEM DRIVE NUT
6	7306-1	7321-1	STEM
7	7307	7322	"O" RING(2) (INSIDE BARREL)
8	7308	7323	ALLEN SCREW
9	7309	7309	"O" RING (OUTSIDE BARREL)

EQUIPMENT SUPPLIED WITH EACH MACHINE

REF. NO.	PART NUMBERS		DESCRIPTION
	D73-1	D73-2	
11	7311	7311	WRENCH (OPEN ENDS)
12	7312	7312	RATCHET
13	7313	7313	SOCKET 1" HEX. 1/2 DR.
14	7314	7314	STEEL CASE

OPTIONAL EQUIPMENT (To be selected)

Shell Cutters

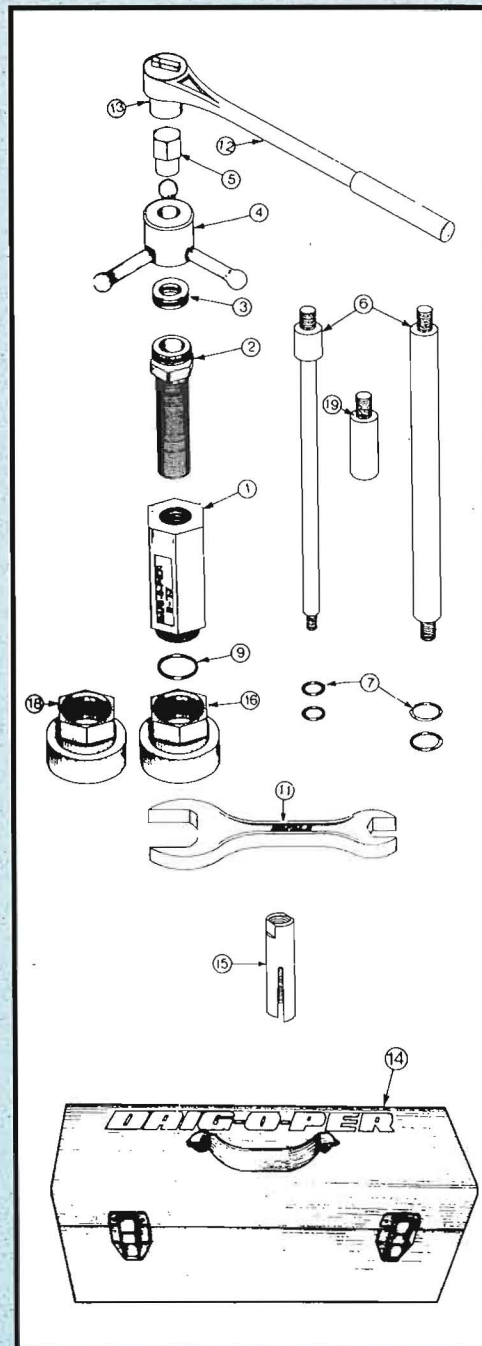
REF NO.	PART NUMBERS					DESCRIPTION
	3/4"	1"	1 1/4"	1 1/2"	2"	
15	7394	7395	7396	7397	7398	SHELL CUTTER

OPTION No. 1 – For flared main stops

REF NO.	PART NUMBERS					DESCRIPTION
	3/4"	1"	1 1/4"	1 1/2"	2"	
16	7376	7377	7378	7379	7380	ADAPTERS

OPTION No. 2 – For Mueller or Emco compression main stops

REF NO.	PART NUMBERS					DESCRIPTION
	3/4"	1"	1 1/4"	1 1/2"	2"	
18	7376	7377	7378	7379ms	7380ms	ADAPTERS
To convert regular D-73 to D-73-PVC machine						
6 or 6 & 19	3/4" & 1"		1 1/4" & 1 1/2"		2"	
	7306-1PVC		7321-1PVC		7321-1PVC + 7385	



CLOW
CLOW CANADA

HEAD OFFICE
1757 Burlington St. E.

P.O. Box 2849
Hamilton, Ont. L8N 3R5
Tel: (416) 548-9604
Fax: (416) 548-6885

WESTERN CANADA EASTERN CANADA

P.O. Box 1000
801 Smelter Ave. S.E.
Medicine Hat, AB T1A 7H1
Tel: (403) 527-3553
Fax (403) 527-7454

P.O. Box 700
Saint John, NB E2L 4B3
Tel: (506) 633-2541
Fax: (506) 634-8936