

Kennedy Swing Check Valves

A.W.W.A. C508 was developed in 1976 to set a standard for the manufacture, testing and application of Iron Body Bronze Mounted (IBBM) Check Valves. The valves are designed with an iron body and include either metal-to-metal or composition-to-metal seating.

Kennedy Swing Check Valves are designed and manufactured in conformance with A.W.W.A. C508 and are for use on water, oil and gas lines. Under certain circumstances where it is desirable to have more positive control of the closing of the disc, the valves can be supplied with either lever-and-spring or lever-and-weight. For restricted spacing requirements Kennedy Valve manufactures a Wafer Check Valve that also helps to control water hammer.

Features



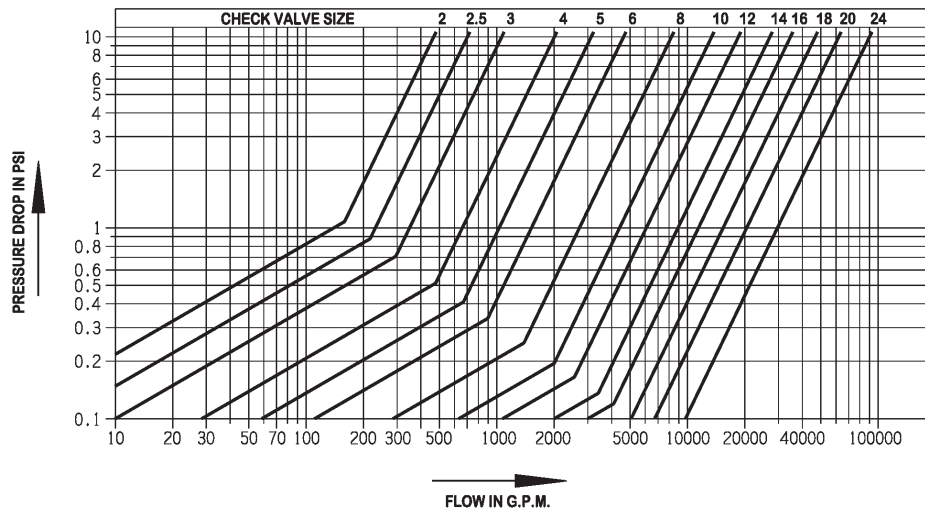
Swing Check Valve-AWWA

- Stainless steel hinge pin.
- Working parts are removable through the top of the valve.
- Tapped bosses available.
- Available with lever-and-spring or lever-and-weight.
- Double bronze side plug construction.
- Bodies are made of high strength cast iron with reinforced flanges - ANSI B 16.1/125 # flanges.
- May be installed in a vertical line with the flow up.

- | | |
|----------------------------------|----------------|
| • Figure #1106 Series | <u>2"-12"</u> |
| Test Pressure - Seat and Shell | 400 PSI |
| Working Pressure - non-shock CWP | 200 PSI |
| • Figure #106 Series | <u>14"-24"</u> |
| Test Pressure - Seat and Shell | 300 PSI |
| Working Pressure - non-shock CWP | 150 PSI |

FLOW VERSUS PRESSURE DROP

Data Representative of Kennedy Figure 1106 and 1106A Swing Check Valves





KENNEDY CHECK VALVES

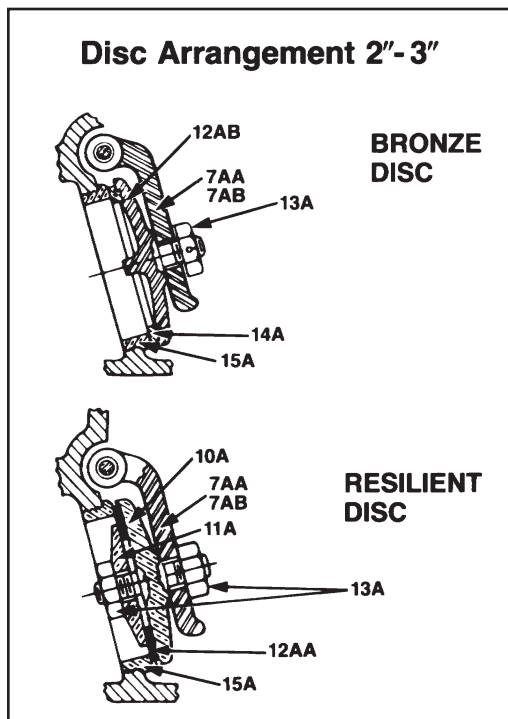
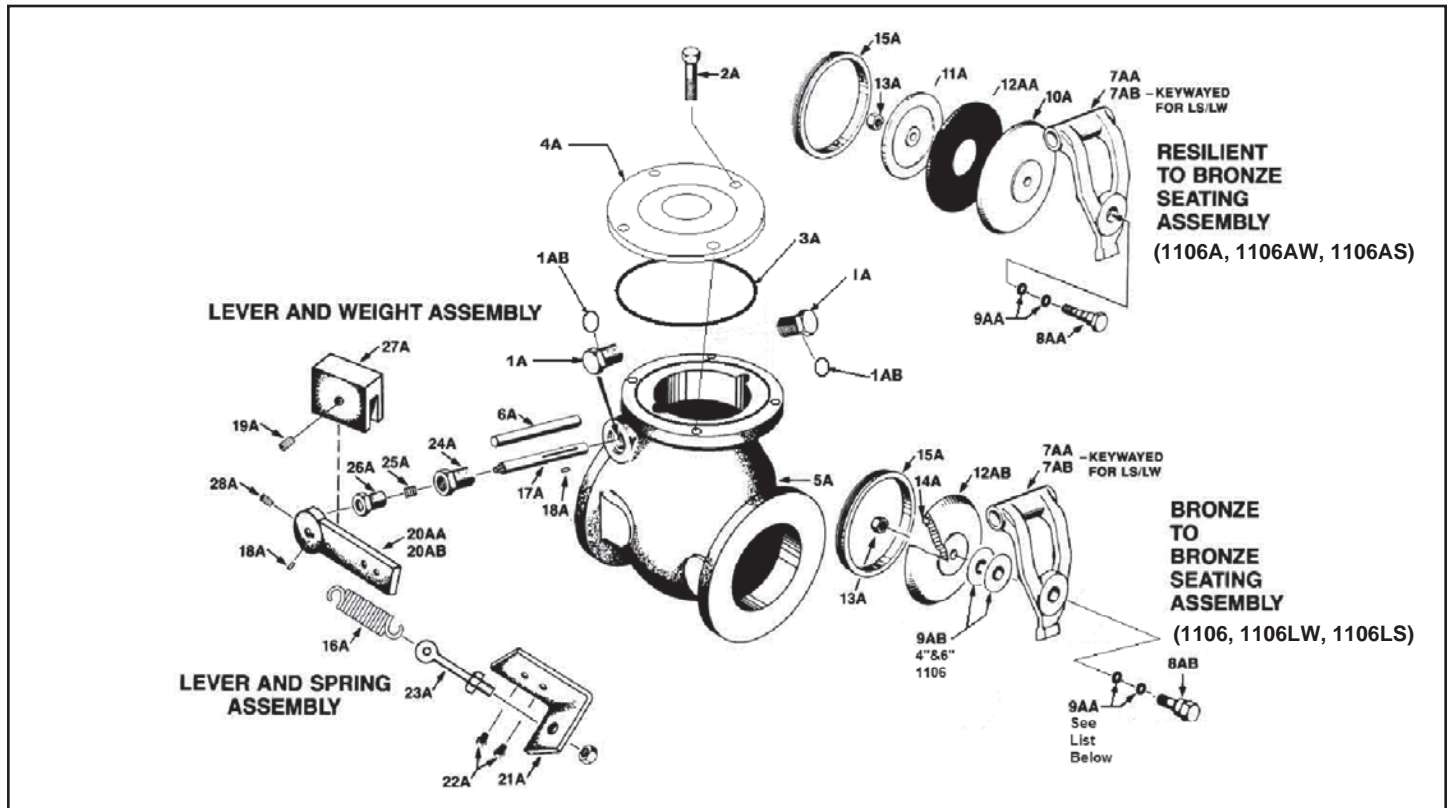
It is generally recommended, that when using Kennedy swing check valves, that you locate the valve at least 5 to 10 pipe diameters down stream from any flow disturbance or obstruction (valve, pump, elbow, reducer, etc.). Turbulence close to the check valve may result in valve "chatter" resulting in premature failure of the check valve.

As stated in AWWA C508, "Conditions of water hammer, hydraulic pulsation, and excessive operating noise are results of system design rather than valve design and are beyond the scope of this standard and require special design and construction considerations."

Resilient/Bronze - Figure # 1106A, 1106AW, 1106AS

Bronze/Bronze - Figure # 1106, 1106LW, 1106LS

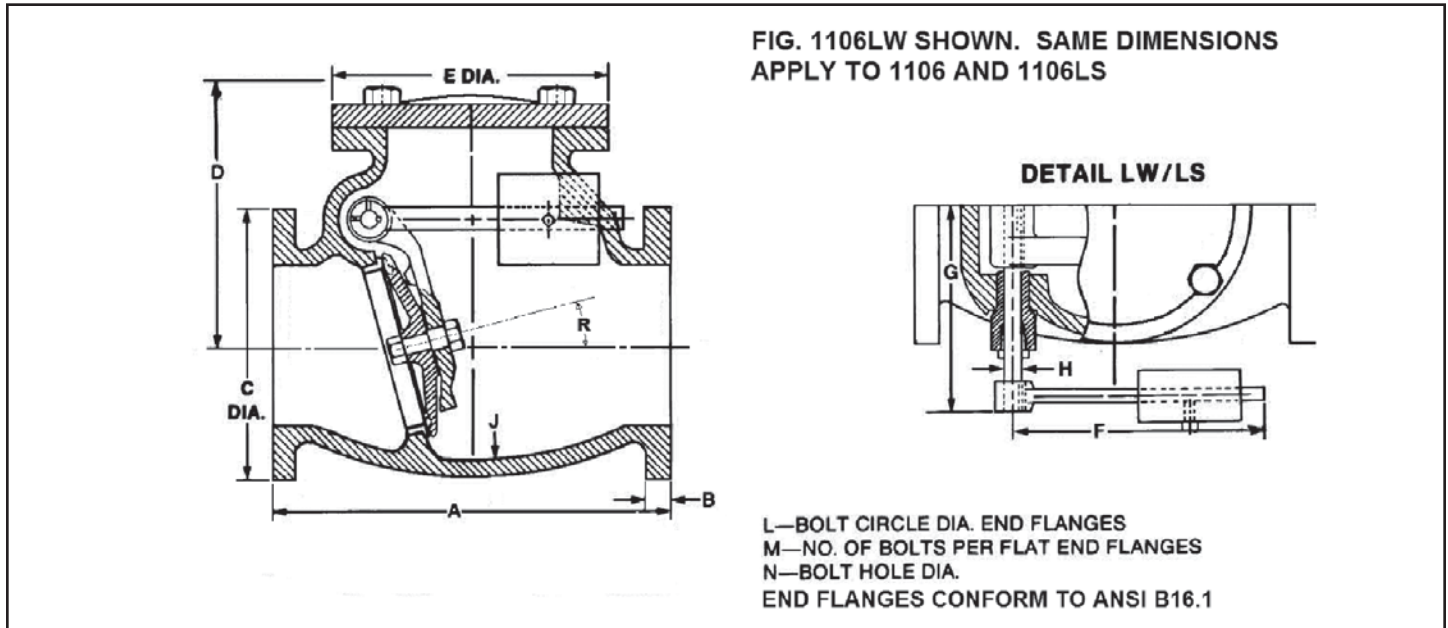
KENNEDY VALVE



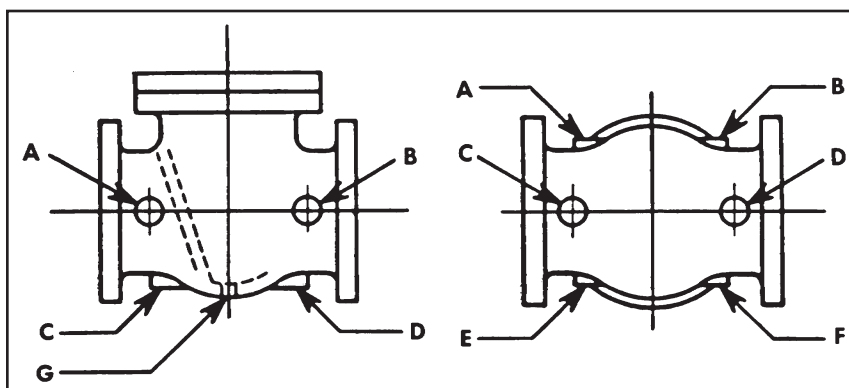
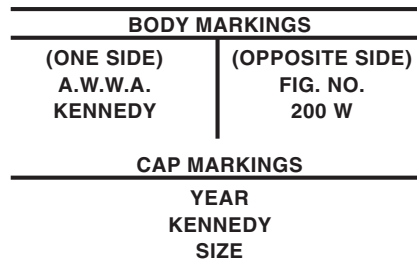
Part No.	Qty.	Description	Material & ASTM Spec.
1A With	2	Side Plug With O-Ring	Bronze
1AB (O-Ring)	1 for LS/LW		
2A	* SEE FOOT NOTE	Cap Bolts	Stainless Steel, ASTM F593C (18-8)
3A	1	O-Ring	Syn. Rubber
4A	1	Cap	Cast Iron, ASTM A126 Class B
5A	1	Body	Cast Iron, ASTM A126 Class B
6A	1	Hinge Pin	SS A-276 (304)
7AA	1	Hinge	Bronze (2"-3") D.I. A-536 (4"-12")
7AB	1	Hinge w/keyway for LS/LW	Bronze (2"-3") Ductile Iron ASTM A536 (4"-12")
8AA	1	Disc Bolt (4"-12")	Bronze (4"-12")
8AB	1	Disc Bolt (4"-12")	Bronze (10"-12") Steel (4"-8")
9AA	2	Disc Bolt O-Ring (4"-12" 1106A, 8"-12" 1106)	Syn. Rubber
9AB	2	Disc Bolt Gasket (4" & 8" 1106)	
10A	1	Disc Holder	Bronze (2"-3") *** Cast Iron, ASTM A126 Class B (4"-12")
11A	1	Disc Plate	Bronze
12AA	1	Disc	Nitrile (Buna N) Rubber
12AB**	1	Disc	Bronze (2"-3") *** Cast Iron, ASTM A126 Class B (4"-12")
13A	1	Disc Nut	Stainless Steel, ASTM F593C (18-8)
14A**	1	Disc Ring (4"-12") --- (2"-3")***	Bronze
15A	1	Seat Ring	Bronze
16A	1	Spring	Steel
17A	1	Extended Hinge Pin for LS/LW	Stainless Steel, ASTM A-276 (304)
18A	2	Key for LS/LW	Stainless Steel, ASTM A-276 (304)
19A	1	Set Screw	Steel
20AA	1	Lever Arm for LS	Steel
20AB	1	Lever Arm for LW	Steel
21A	1	Bracket	Steel
22A	2	Hex Head Bracket Bolt	Steel
23A	1	Eye Bolt w/2 Hex Nuts	Steel
24A	1	Stuffing Box	Bronze
25A	-	Packing	Graphite Filled
26A	1	Gland	Bronze
27A	1	Weight	Cast Iron, ASTM A126 Class B
28A	1	Set Screw	Steel

* Qty of cover bolts, 2"-8" = 4 bolts, 10"-12" = 6 bolts.
 ** Denotes that part is available only as part of an assembly.
 ***Cast integral (2"-3").

Dimensional Data 2"-12" 1106/1106LW/106LS



SIZE	*A		B		C		D		E		F		G		H		J		L		M		N		R	
	inch	mm	inch	mm	inch	mm	inch	mm	inch	mm	inch	mm	inch	mm	inch	mm	inch	mm	inch	mm	inch	mm	inch	mm	inch	mm
2"	8.00	203	0.65	17	6.00	152	6.00	152	6.56	167	6.50	165	4.72	120	0.50	13	0.34	9	4.75	121	4	102	0.75	19	10.00	254
2 1/2"	8.50	216	0.69	18	7.00	178	6.44	164	6.56	167	6.50	165	4.94	125	0.50	13	0.41	10	5.50	140	4	102	0.75	19	8.00	203
3"	9.50	241	0.78	20	7.50	191	6.85	174	6.56	167	6.50	165	5.34	136	0.50	13	0.44	11	6.00	152	4	102	0.75	19	8.00	203
4"	11.50	292	1.00	25	9.00	229	8.69	221	9.00	229	7.75	197	8.19	208	0.62	16	0.41	10	7.50	191	8	203	0.75	19	12.00	305
6"	14.00	356	1.03	26	11.00	279	10.51	267	11.00	279	9.75	248	9.00	229	0.75	19	0.43	11	9.50	241	8	203	0.87	22	15.00	381
8"	19.50	495	1.25	32	13.50	343	12.56	319	13.50	343	14.13	359	10.18	259	0.87	22	0.75	19	11.75	298	8	203	0.87	22	15.00	381
10"	24.50	622	1.31	33	16.00	406	14.07	357	16.75	425	18.00	457	11.62	295	1.00	25	0.81	21	14.25	362	12	305	1.00	25	15.00	381
12"	27.50	699	1.38	35	19.00	483	16.13	410	19.00	483	18.00	457	13.75	349	1.00	25	0.87	22	17.00	432	12	305	1.00	25	15.00	381



BOSS AND DRAIN TAPPING SCHEDULE

VALVE SIZE (In.)	2-3 1/2	4-5	6	8,10,12
------------------	---------	-----	---	---------

MAX. SIZE PIPE TAP (NPT)	3/4	1	1 1/4	2
--------------------------	-----	---	-------	---

When ordering Check Valves tapped for by-pass or drain, specify exact location and size of tap using letters above for boss designation. These locations of drain and by-pass tapplings conform to the Manufacturers Standardization Society (MSS SP-45 current edition).