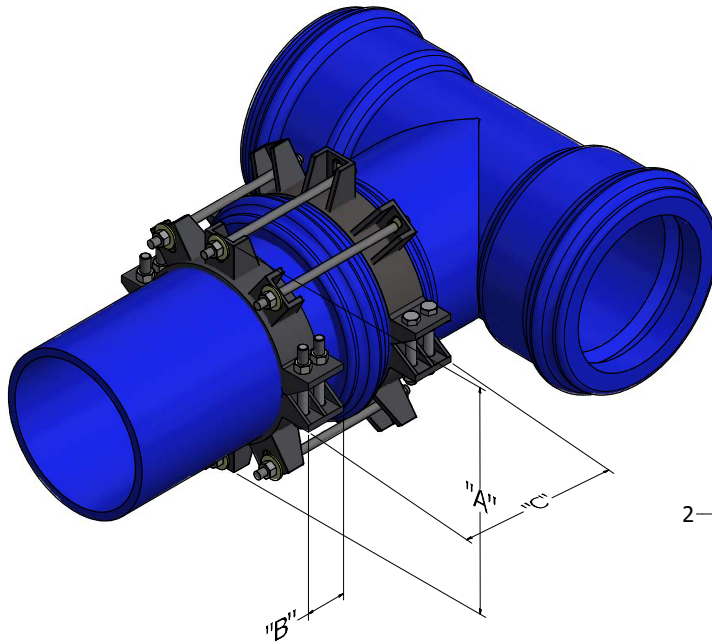
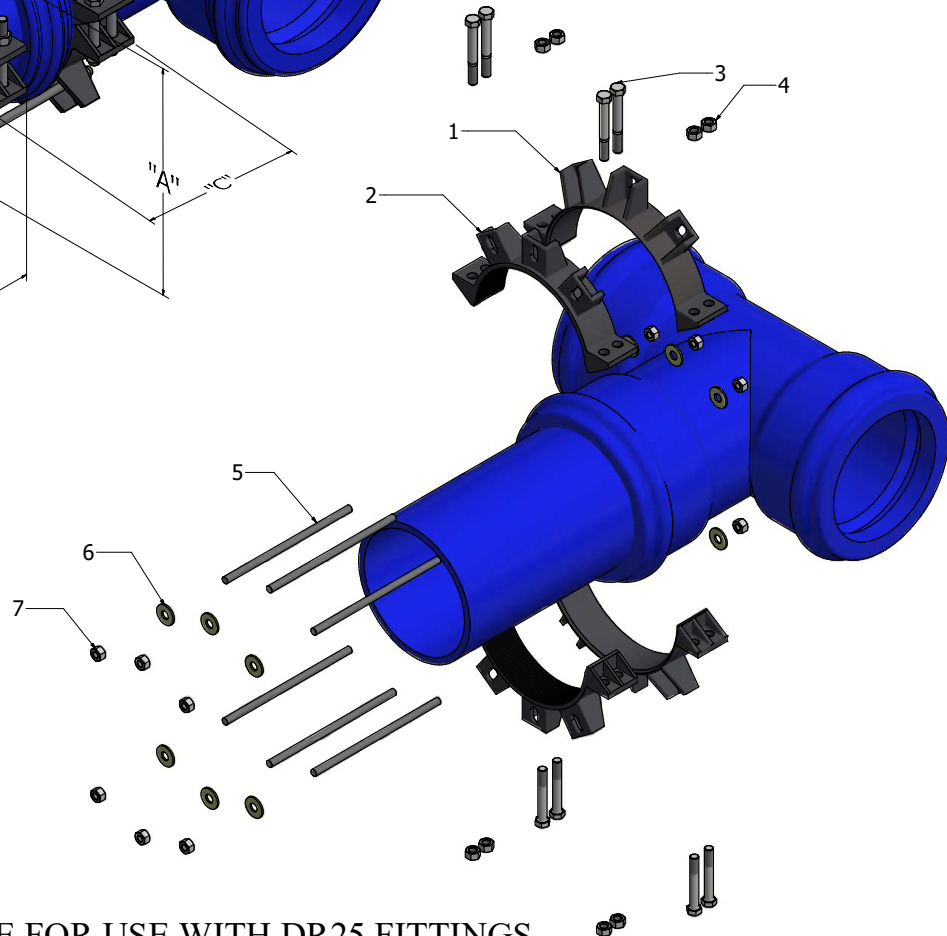


RESTRAINER

EPOXY COATED FOR PVC PIPE
WITH DUCTILE IRON O.D.



REF#	DESCRIPTION
1	360C RESTRAINER HALF D.I. A-536 Gr. 65-45-12
2	300C RESTRAINER HALF D.I. A-536 Gr. 65-45-12
3	CLAMP BOLT GRADE A424 Z.P., 304SS OR 316SS
4	HEX NUT (CLAMP BOLT) Z.P., 304SS OR 316SS
5	RESTRAINING ROD ALLOY STL., 304SS OR 316SS
6	WASHER Z.P., 304SS OR 316SS
7	HEAVY HEX NUT Z.P., 304SS OR 316SS



NOT SUITABLE FOR USE WITH DR25 FITTINGS

NOM. PIPE SIZE	"A" (2)	"B"	"C"	SHIPPING WT.	CLAMPING BOLTS	RESTRAINING RODS
14"	25.2	4	13"		8 @ 7/8" x 6 1/2"	6 @ 3/4"x17" ROD
16"	27.5	4	13"		8 @ 7/8" x 6 1/2"	6 @ 3/4"x17" ROD
18"	30.7	4	13"		8 @ 1" x 8"	8 @ 3/4" x 17" ROD
20"	33.12	5	20"		8 @ 1 1/8" x 8 1/2"	8 @ 3/4" x 24" ROD
24"	38.12	5.25	26"		8 @ 1 1/8" x 8 1/2"	12 @ 3/4" x 30" ROD

