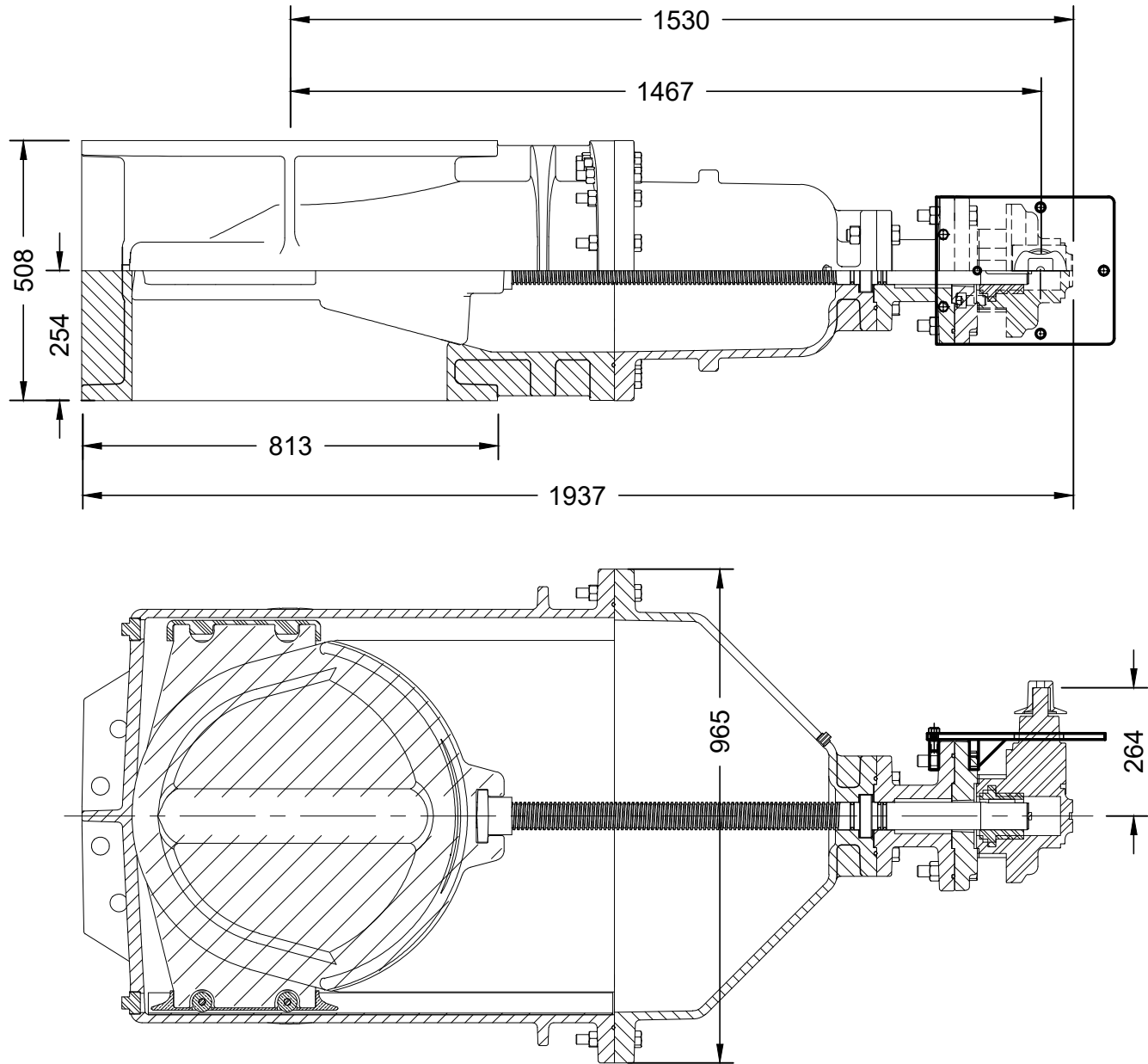


PROJECT	600mm R/W GV FLG RTS BEVEL GEAR with I.P. ADAPTER PLATE METRIC DIMENSIONS MODEL F6102 CLOW CANADA
OWNER	
CONTRACTOR	
DISTRIBUTOR	
CONSULTANT	



2638-85
B 04/08

ALL DIMENSIONS IN MILLIMETERS