

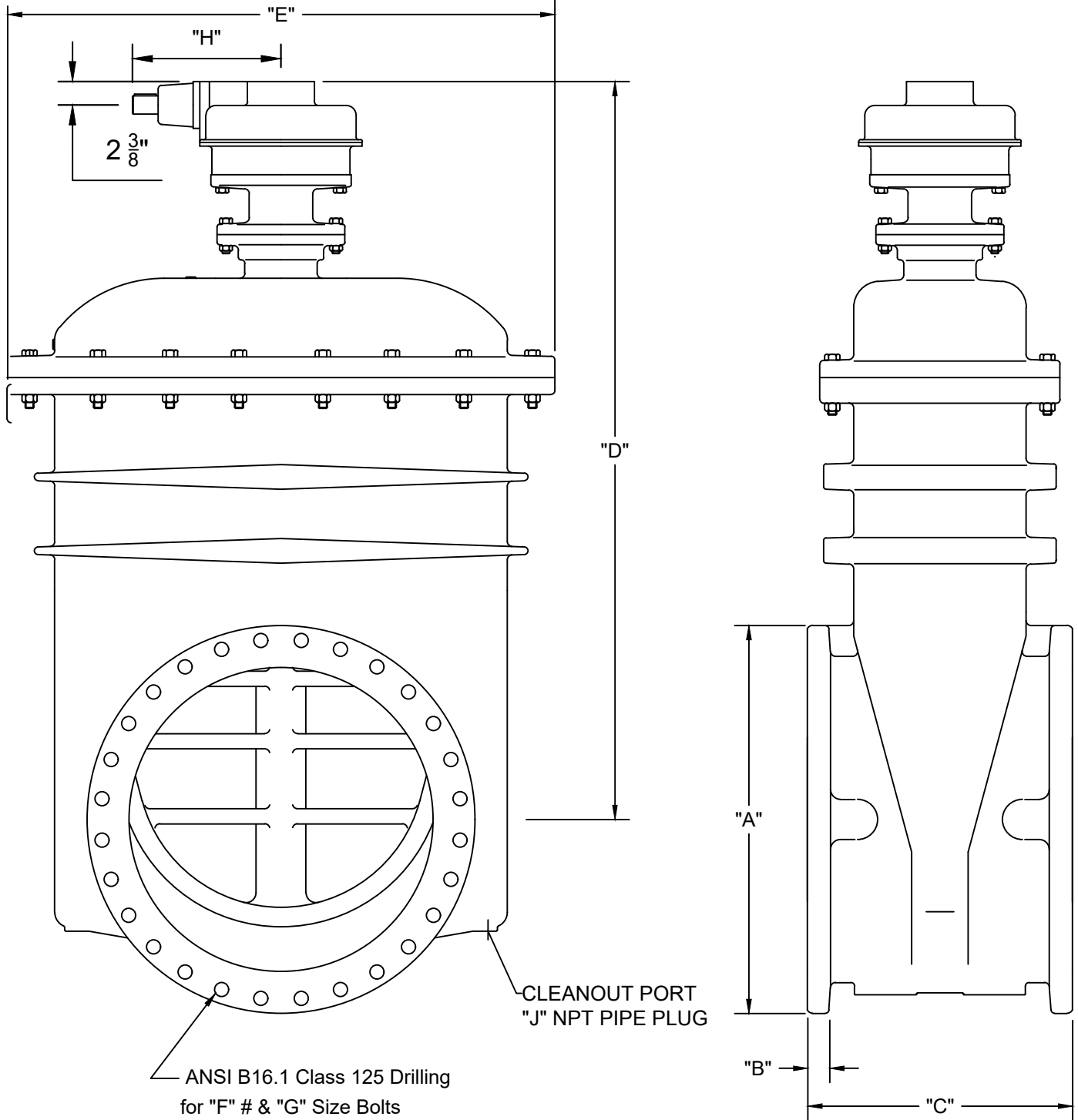
PROJECT
 OWNER
 CONTRACTOR
 DISTRIBUTOR
 CONSULTANT

MODEL 2638 750mm - 1350mm R/W VALVE
 FLANGED ENDS WITH BEVEL GEAR
 GENERAL DIMENSIONS

F6102BG

CLOW CANADA

FUSION EPOXY - NSF 61 AND AWWA C550



METRIC DIMENSIONS

Valve Size	"A"	"B"	"C"	"D"	"E"	"F"	"G"	"H"	"J"
750mm	984	54	1016	1816	1390	28	1-1/4	378	2"
900mm	1168	60	781	2059	1495	32	1-1/2	378	1 1/4"
1050mm	1346	66	914	2499	1981	36	1-1/2	432	1 1/2"
1200mm	1511	70	902	2575	1981	44	1-1/2	432	1 1/2"
1350mm	1683	76	1219	2575	1981	44	1-3/4	432	1 1/2"