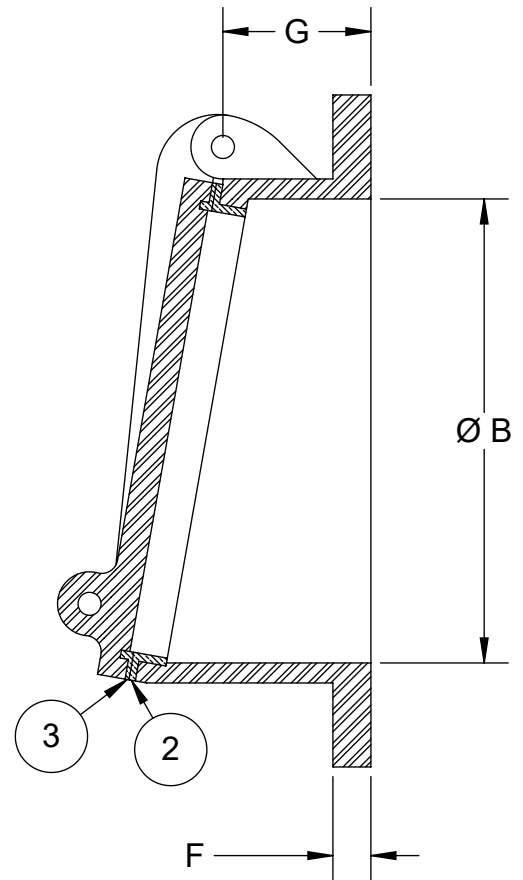
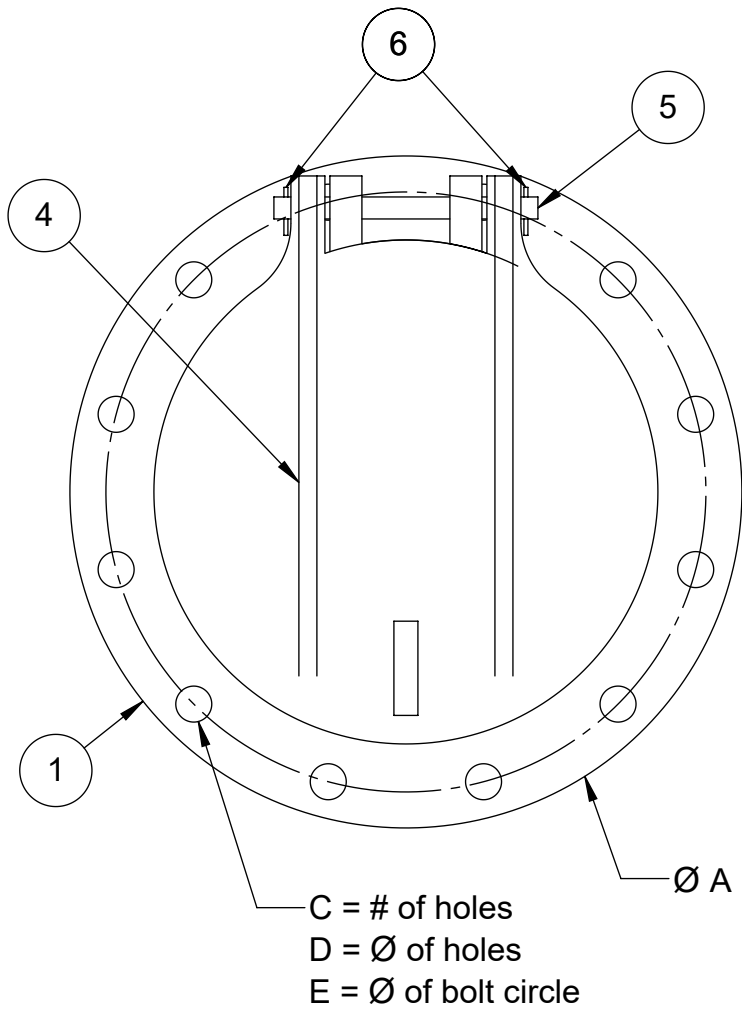


**DIMENSIONS ARE IN INCHES**

SIZE	14	16	18	20	24
<b>A</b>	21	23 1/2	25	27 1/2	32
<b>B</b>	14	16	18	20	24
<b>C</b>	12	16	16	20	20
<b>D</b>	1 1/8	1 1/8	1 1/4	1 1/4	1 3/8
<b>E</b>	18 3/4	21 1/4	22 3/4	25	29 1/2
<b>F</b>	1 3/16	1 1/4	1 1/8	1 1/8	1 3/8
<b>G</b>	4 5/8	4 1/2	7 1/2	6	6 9/16

Item	Description	QTY.	MAT'L
<b>1</b>	Body	1	CI-A126
<b>2</b>	Seat Ring	1	BRZ-B62
<b>3</b>	Disc Ring	1	BRZ-B62
<b>4</b>	Disc	1	CI-A126
<b>5</b>	Hinge Pin	1	304SS
<b>6</b>	Cotter Pin	2	18-8SS



**Notes:**

- 125# ANSI flange
- Two Part Epoxy Coating
- 10° Offset from verticle



www.TroyValve.com

PHONE: 1-570-297-2125

151- DO NOT SCALE DRAWING

TITLE:

**14"-24" Flap Valve**

MAT'L: CI

PART NO:

DATE: 5/28/2020

**A25406**

DWN.

TE

PAGE: