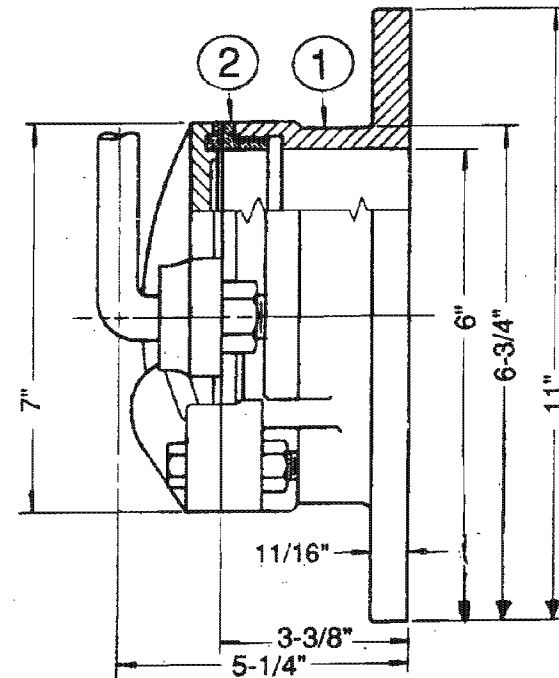


Parts List

Item	Description	Required	Material	ASTM	
1	Body	1	Cast Iron	A126	CLB
2	Seat Ring	1	Bronze	B62	
3	Lift Handle	1	Steel	A107	GR.1115
4	Disc w/Br Disc Ring	1	Cast Iron	A126	CLB
5	Right Hand Wedge	1	Cast Iron	A126	CLB
6	Wedge Bolt	2	Steel		ASA B18.2
7	Hinge Bolt	1	Bronze	B62	
8	Hinge Bolt Nut	1	Bronze	B62	
9	Set Screw	1	Steel		Plated



ELLIS 6-11-65
ORTON 6-8-66
R.L.R. 6-8-66
Z.F.R. 6-8-66

REPLACES DWG. NO. E-3310 BY H.N.H. 5-15-42

MATERIAL:
DATE:

6" SHEAR GATE, FLANGE END, SINGLE WEDGE

TROY VALVE
Troy, PA

NO.
A-2522-6/E-3310