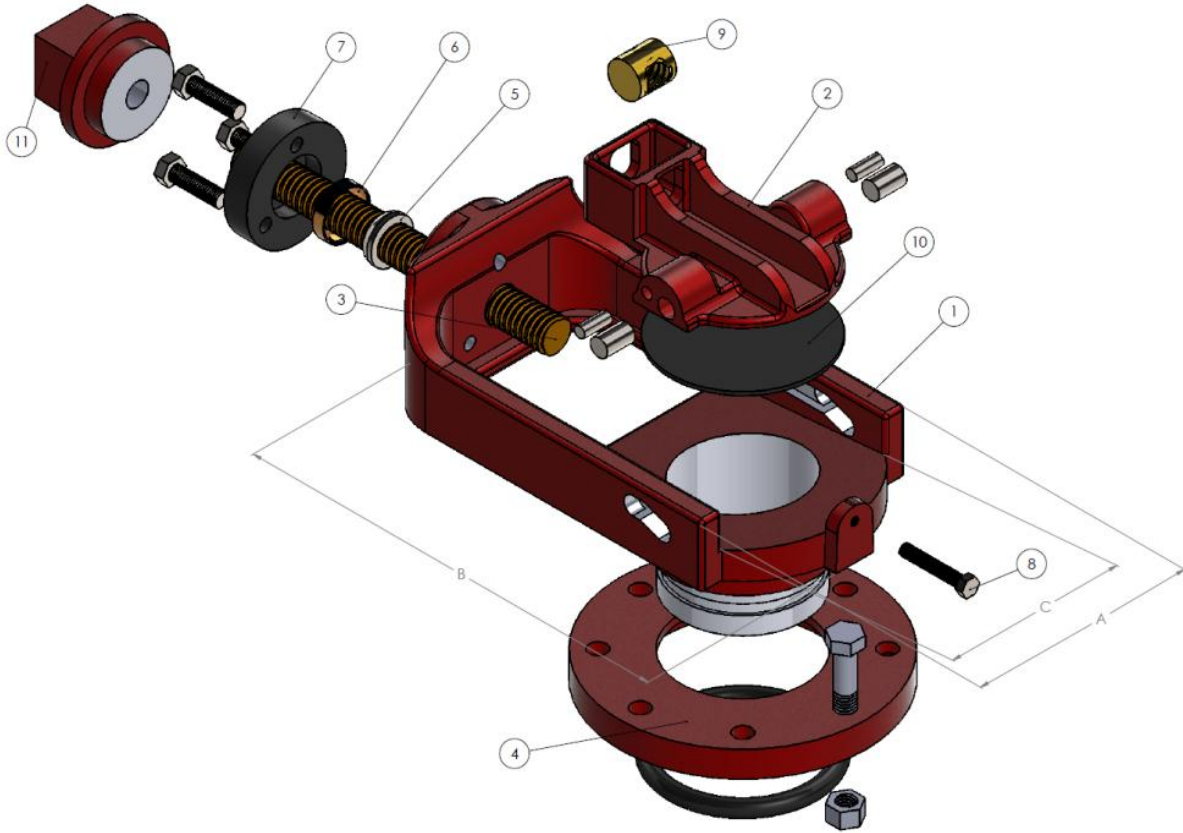


SELF CONTAINED STAINLESS STEEL OR IRON RESILIENT SEATED SLUICE GATE



Part Number	Description	Material
1	Body	SS or Iron
2	Disc	SS or Iron
3	Stem	SS
4	Flange	Iron
5	Thrust Washer	SS
6	Stem Collar	Bronze
7	Stem Cap	Iron
8	Stoop Screw	SS
9	Thrust Nut	Bronze
10	Disc Seat	Rubber
11	Operating Nut	Iron

Size	A	B	C	Flg Face to c/l of stem
4	9	16	7½	4½"
6	11	18	9½	4½"
8	13½	21	12	4½"
10	16	23	14	5"
12	19	26	16½	5"
14	21	28	18½	5"
16	23½	31	21	5"

Troy Valve.....simply the best.

TROY VALVE

Toll Free: (800) 232-4442 ▪ sales@troyvalve.com

A Division of Penn-Troy Manufacturing Inc.

650 Railroad Street, Troy, PA 16947 ▪ Ph: (570) 297-4442 Fax: (570) 297-4136